

## ENVIRONMENT SECTION

Proposed development of a Muslim Burial Ground  
adjacent to the existing burial ground in Tuam, Co.  
Galway

Planning Drawings  
May 2026





Environment Section,  
Galway County Council,  
Áras an Chontae,  
Prospect Hill,  
Co. Galway  
Tel: 091-509510  
Email: [environment@galwaycoco.ie](mailto:environment@galwaycoco.ie)

# **Proposed Development of a Muslim Burial Ground adjacent to the existing Burial Ground at Tuam, Co.Galway**

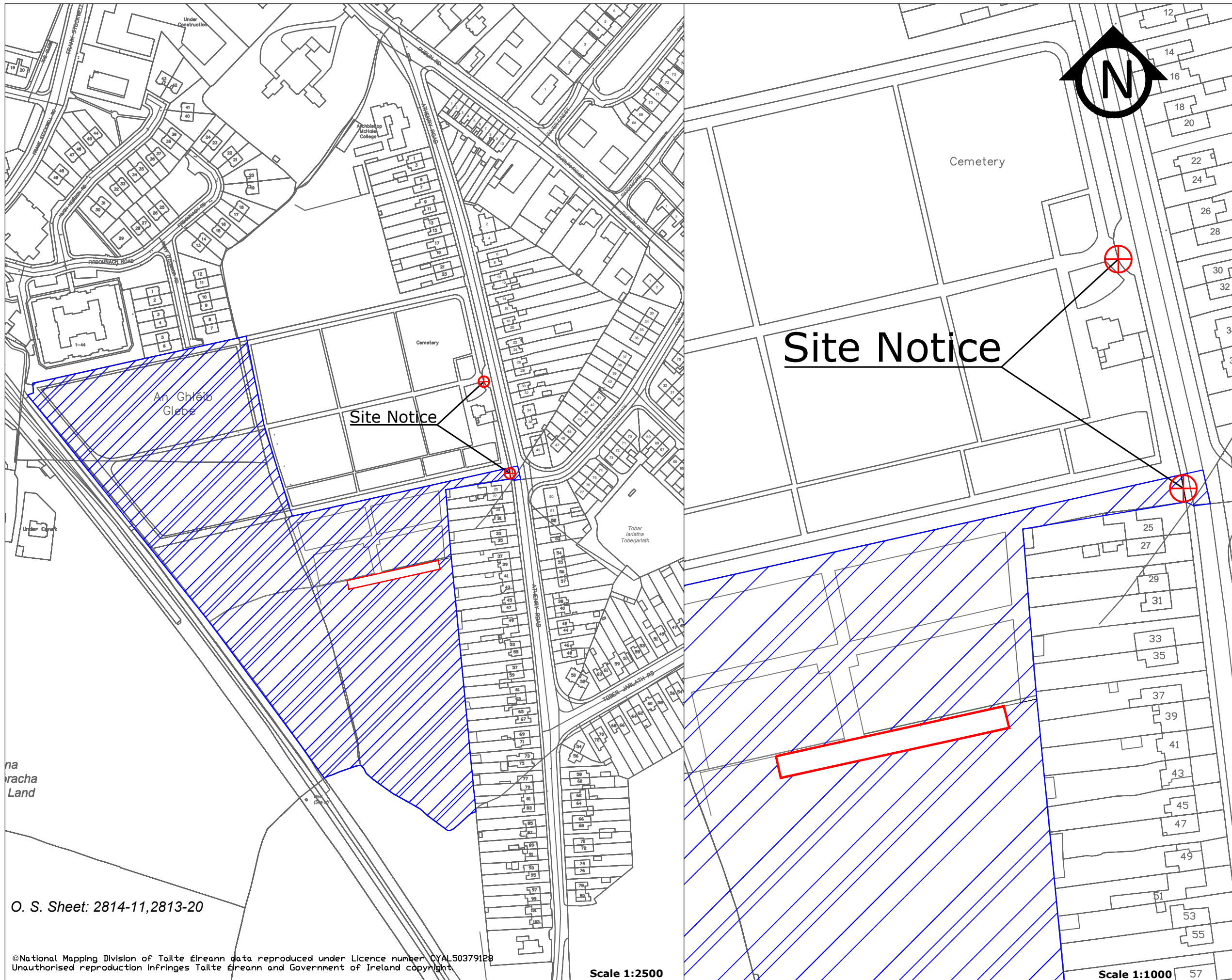
## Drawing Index

Site Location Discovery Map	EP202604-01
Site Location Map	EP202604-02
Site Layout	EP202604-03
Site Layout with Levels	EP202604-04
Typical Plot and Fence Detail	EP202604-05



<b>LEGEND</b>	
	Denotes Site boundary
<b>DRAWING STATUS</b>	
Proposal drawn by Galway County Council	
 <b>GALWAY COUNTY COUNCIL</b> Comhairle Chontae na Gaillimhe Environmental Department County Hall, Prospect Hill, Galway 091 509510 Email: Environment@galwaycoco.ie Web www.galway.ie	
Tuam Burial Ground	
Site Discovery Map	
<b>Folio Number</b> Farrannabox	<b>TOWNLAND</b> GY15948F
<b>Drawing Number</b> EP202604-01	Note All Dimensions are in meters
<b>SCALES @A3</b> NTS	<b>DATE</b> 01/04/2026

©National Mapping Division of Tailte Éireann data reproduced under Licence number CYAL50379128  
 Unauthorised reproduction infringes Tailte Éireann and Government of Ireland copyright.



**LEGEND**

- Denotes Site boundary
- Land Owned by Galway County Council
- ⊕ Site Notice Location

**DRAWING STATUS**  
 Proposal drawn by Galway County Council

**GALWAY COUNTY COUNCIL**  
 Comhairle Chontae na Gaillimhe  
 Environmental Department  
 County Hall, Prospect Hill, Galway  
 091 509510  
 Email: Environment@galwaycoco.ie  
 Web www.galway.ie

**Tuam Burial Ground**

**Site Location Map**

**Folio Number** TOWNLAND  
 Farrannabox GY15948F

**Drawing Number** Note  
 EP202604-02 All Dimensions are in meters

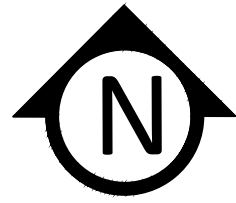
**SCALES @A3** DATE  
 As Shown 27/04/2026

O. S. Sheet: 2814-11,2813-20

©National Mapping Division of Talte Éireann data reproduced under Licence number CYAL50379128  
 Unauthorised reproduction infringes Talte Éireann and Government of Ireland copyright

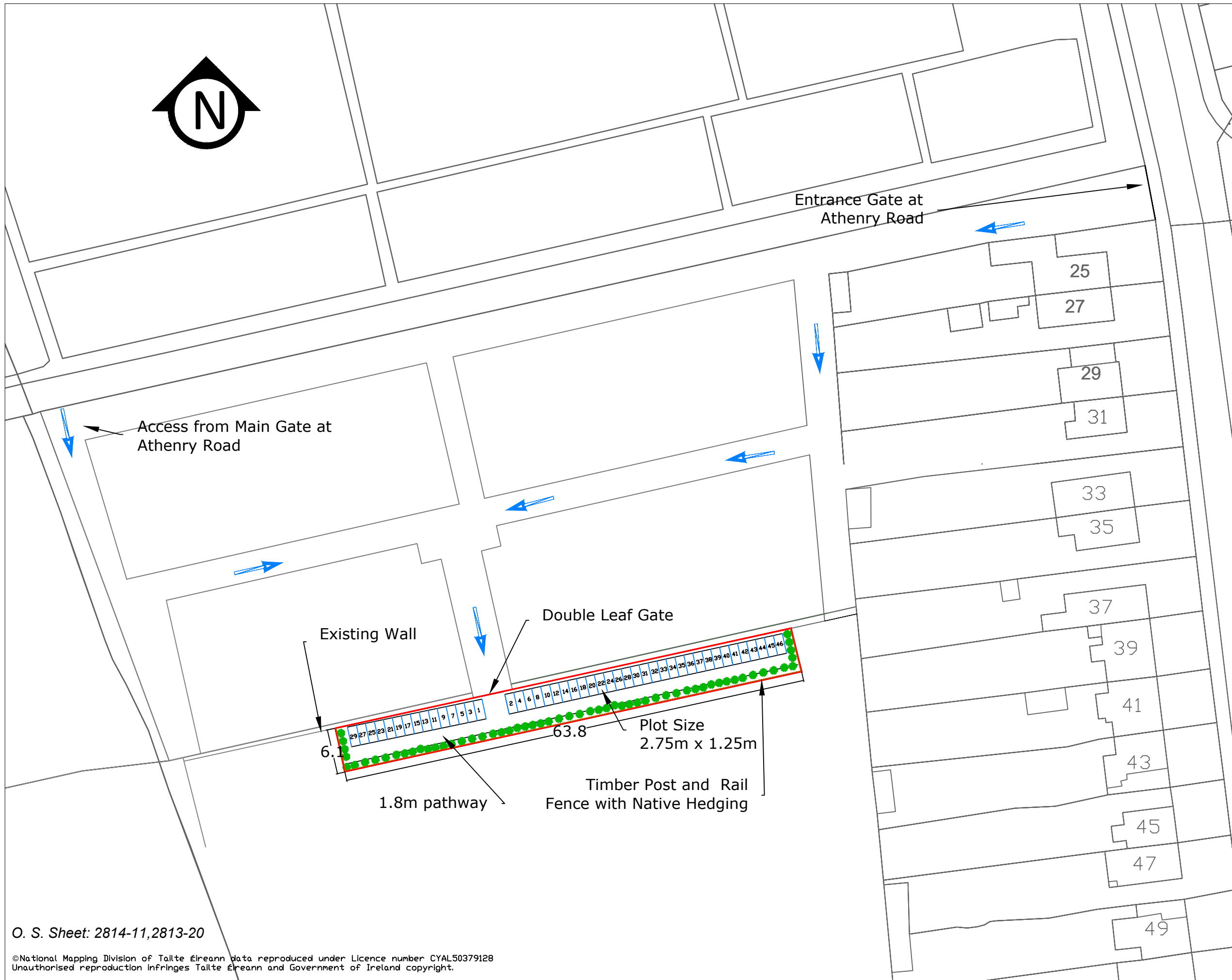
Scale 1:2500

Scale 1:1000



**LEGEND**

- Denotes Site boundary
- 2 4 6 Grave Plots (2.75m x 1.25m)
- Native Hedgrow
- Timber Post and Rail Fencing



**DRAWING STATUS**

Proposal drawn by Galway County Council



**GALWAY COUNTY COUNCIL**  
**Comhairle Chontae na Gaillimhe**  
**Environmental Department**  
 County Hall, Prospect Hill, Galway  
 091 509510  
 Email: Environment@galwaycoco.ie  
 Web www.galway.ie

**Tuam Burial Ground**

**Site Layout**

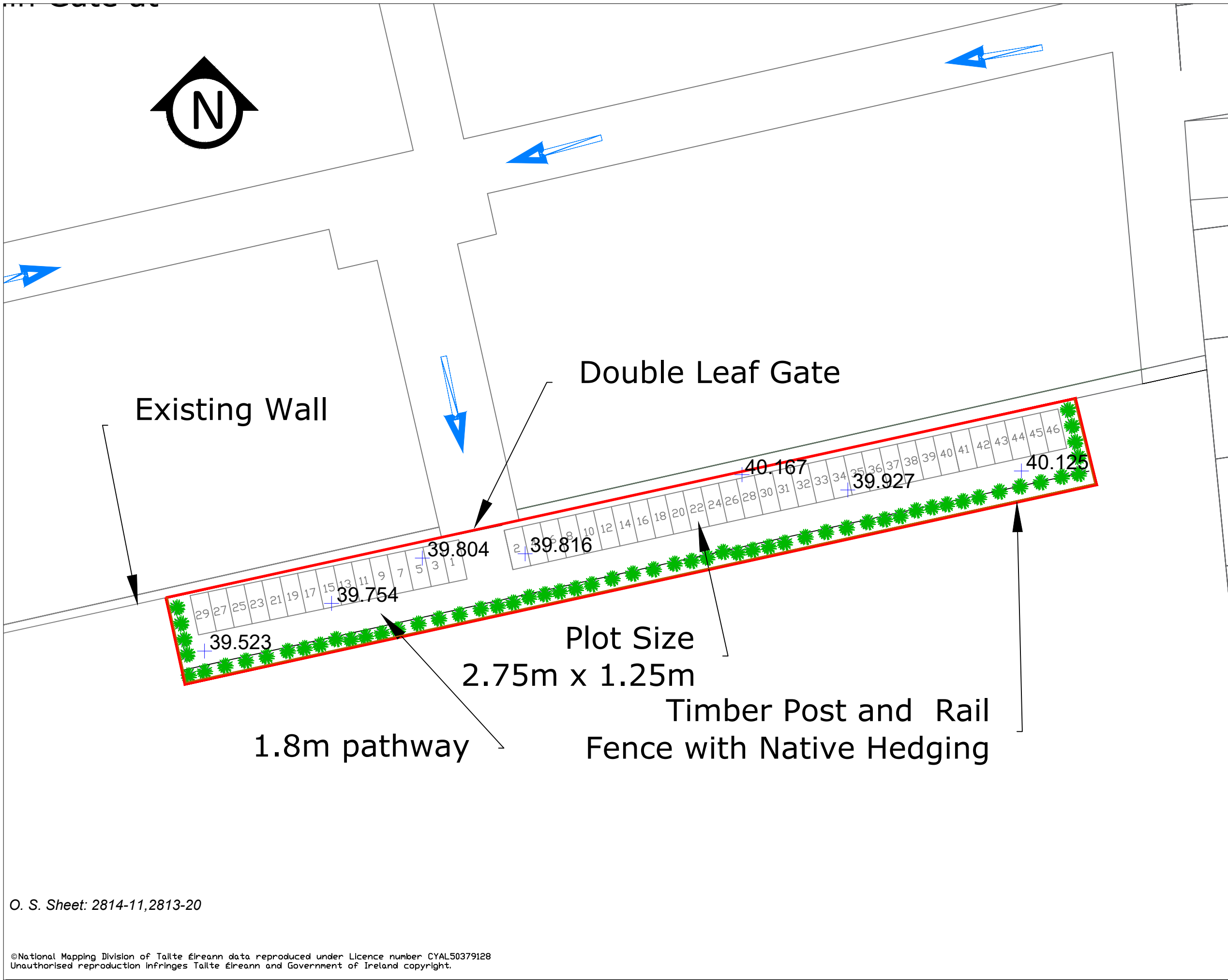
<b>Folio Number</b> Farrannabox	<b>TOWNLAND</b> GY15948F
------------------------------------	-----------------------------

<b>Drawing Number</b> EP202604-03	<b>Note</b> All Dimensions are in meters
--------------------------------------	--

<b>SCALES @A3</b> 1:500	<b>DATE</b> 25/04/2026
----------------------------	---------------------------

O. S. Sheet: 2814-11,2813-20

©National Mapping Division of Taitte Éireann data reproduced under Licence number CYAL50379128  
 Unauthorised reproduction infringes Taitte Éireann and Government of Ireland copyright.



**LEGEND**

	+39.927	Ground Level
		Denotes Site boundary
		Grave Plots (2.75m x 1.25m)
		Native Hedgrows
		Timber Post and Rail Fencing

**DRAWING STATUS**  
 Proposal drawn by Galway County Council

**GALWAY COUNTY COUNCIL**  
 Comhairle Chontae na Gaillimhe  
 Environmental Department  
 County Hall, Prospect Hill, Galway  
 091 509510  
 Email: Environment@galwaycoco.ie  
 Web www.galway.ie

Tuam Burial Ground

Site Layout including Levels

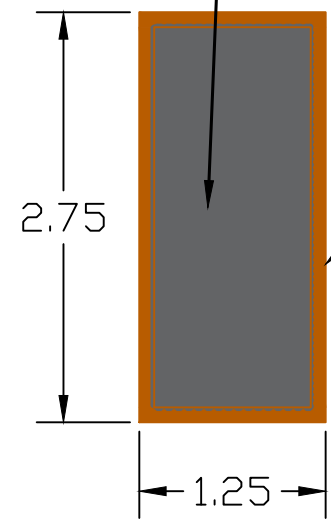
<b>Folio Number</b> Farrannabox	<b>TOWNLAND</b> GY15948F
<b>Drawing Number</b> EP202604-04	Note All Dimensions are in meters

<b>SCALES @A3</b> 1:250	<b>DATE</b> 27/04/2026
----------------------------	---------------------------

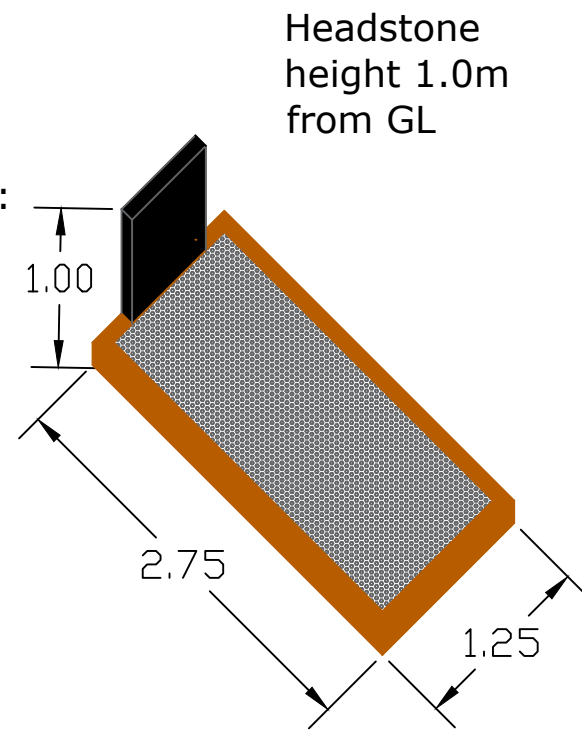
O. S. Sheet: 2814-11,2813-20

©National Mapping Division of Tallte Éireann data reproduced under Licence number CYAL50379128  
 Unauthorised reproduction infringes Tallte Éireann and Government of Ireland copyright.

Decorative stone finish to be laid on plot



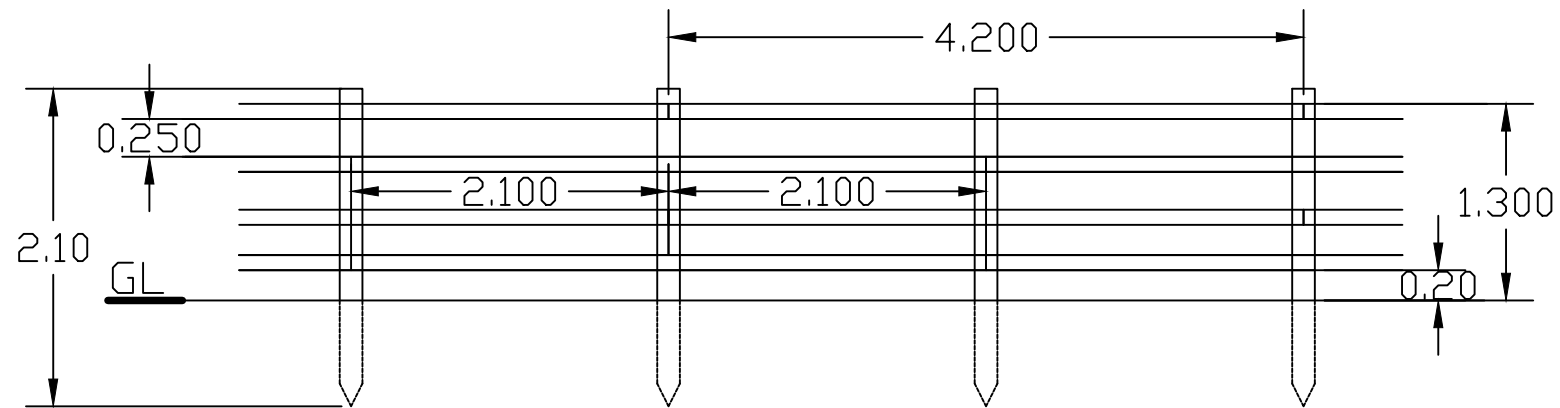
Surround Finish: Treated Timber or Composite Material



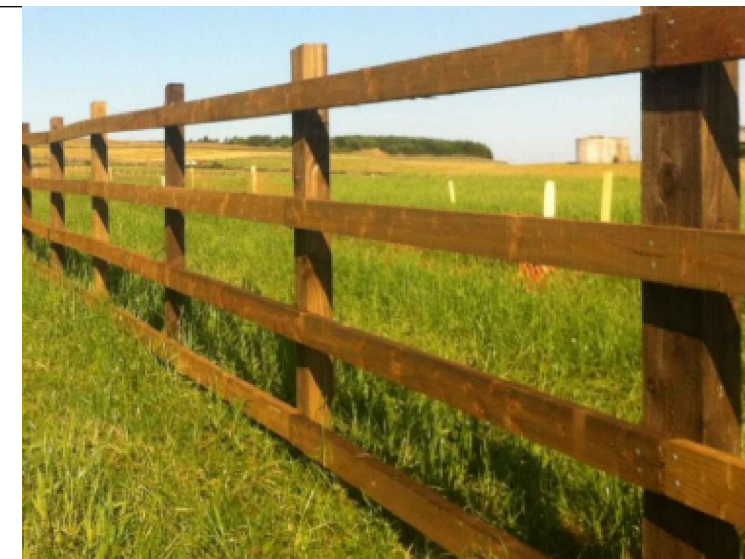
Headstone height 1.0m from GL



Proposed Graveplot Design



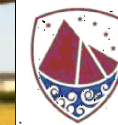
Proposed Timber Post and Rail Fence



**LEGEND**

**DRAWING STATUS**

Proposal drawn by Galway County Council



**GALWAY COUNTY COUNCIL**  
**Comhairle Chontae na Gaillimhe**  
 Environmental Department  
 County Hall, Prospect Hill, Galway  
 091 509510  
 Email: Environment@galwaycoco.ie  
 Web www.galway.ie

Tuam Burial Ground

Typical Plot and Fence Detail

<b>Folio Number</b> Farrannabox	<b>TOWNLAND</b> GY15948F
<b>Drawing Number</b> EP202604-05	Note All Dimensions are in meters
<b>SCALES @A3</b> 1:50	<b>DATE</b> 27/04/2026