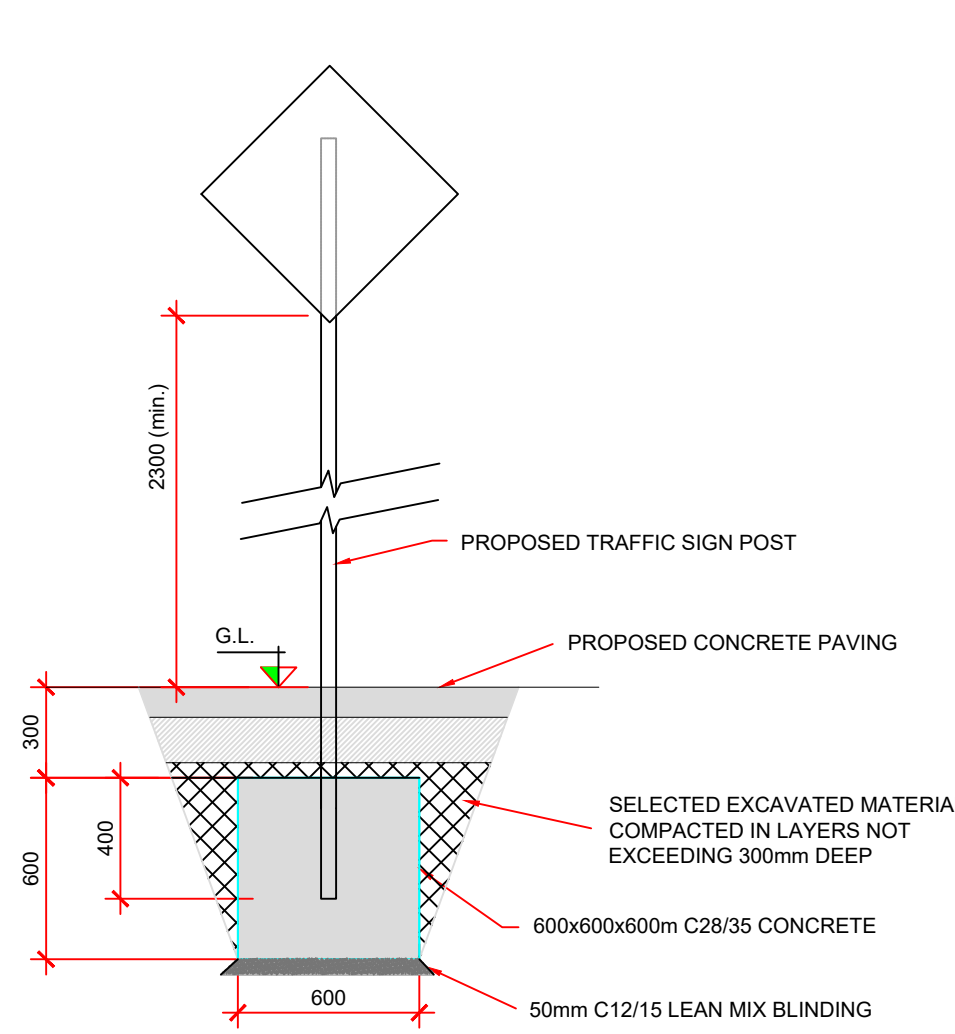
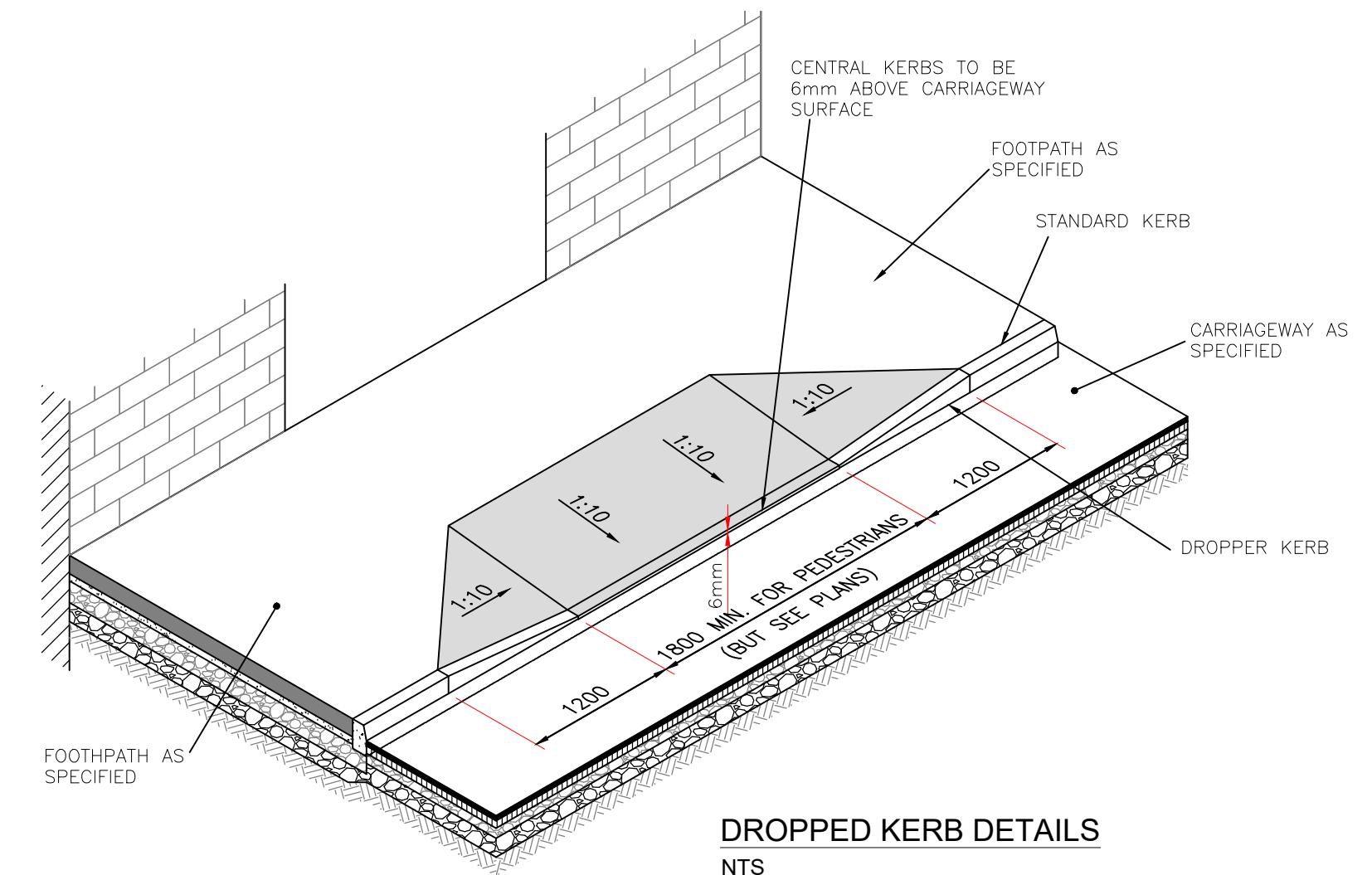


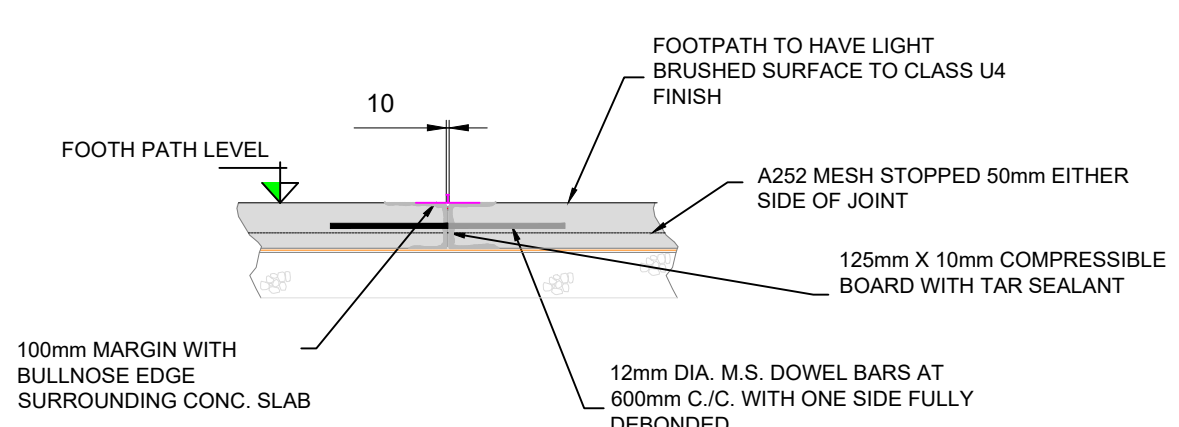
TYPICAL PLAN OF FOOTPATH
Scale 1:25



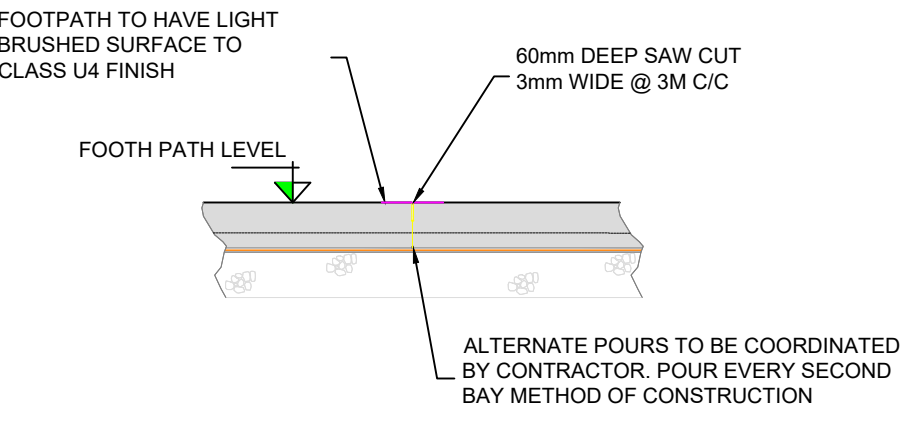
ROAD SIGN FOUNDATION
NTS



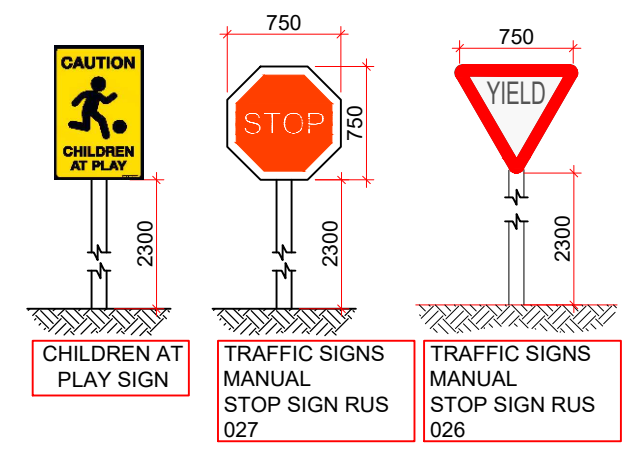
DROPPED KERB DETAILS
NTS



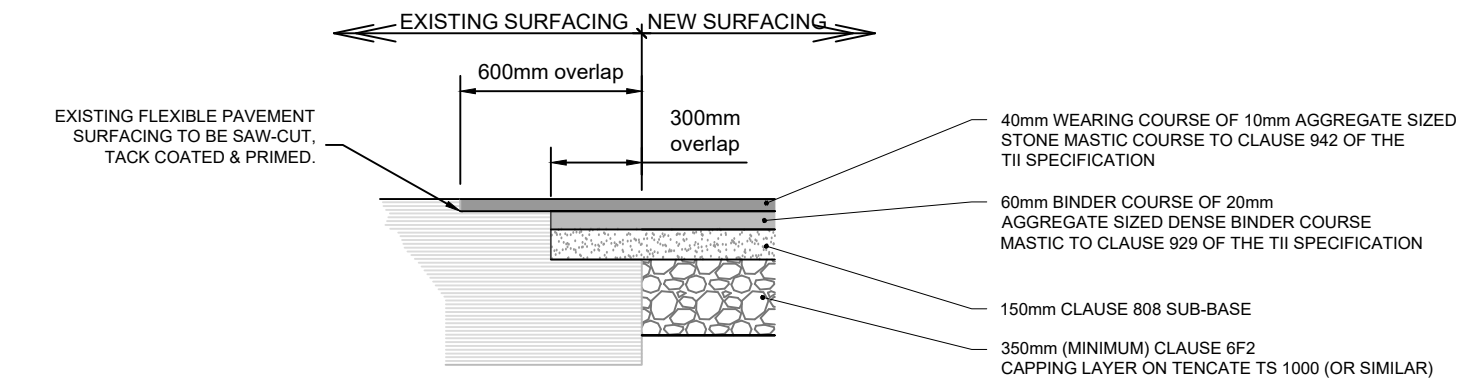
TYPICAL FOOTPATH EXPANSION JOINT - MIN. @ 12m CTRS
Scale 1:25



TYPICAL FOOTPATH CONSTRUCTION/ CONSTRUCTION JOINT - MIN. 3m CTRS
Scale 1:25



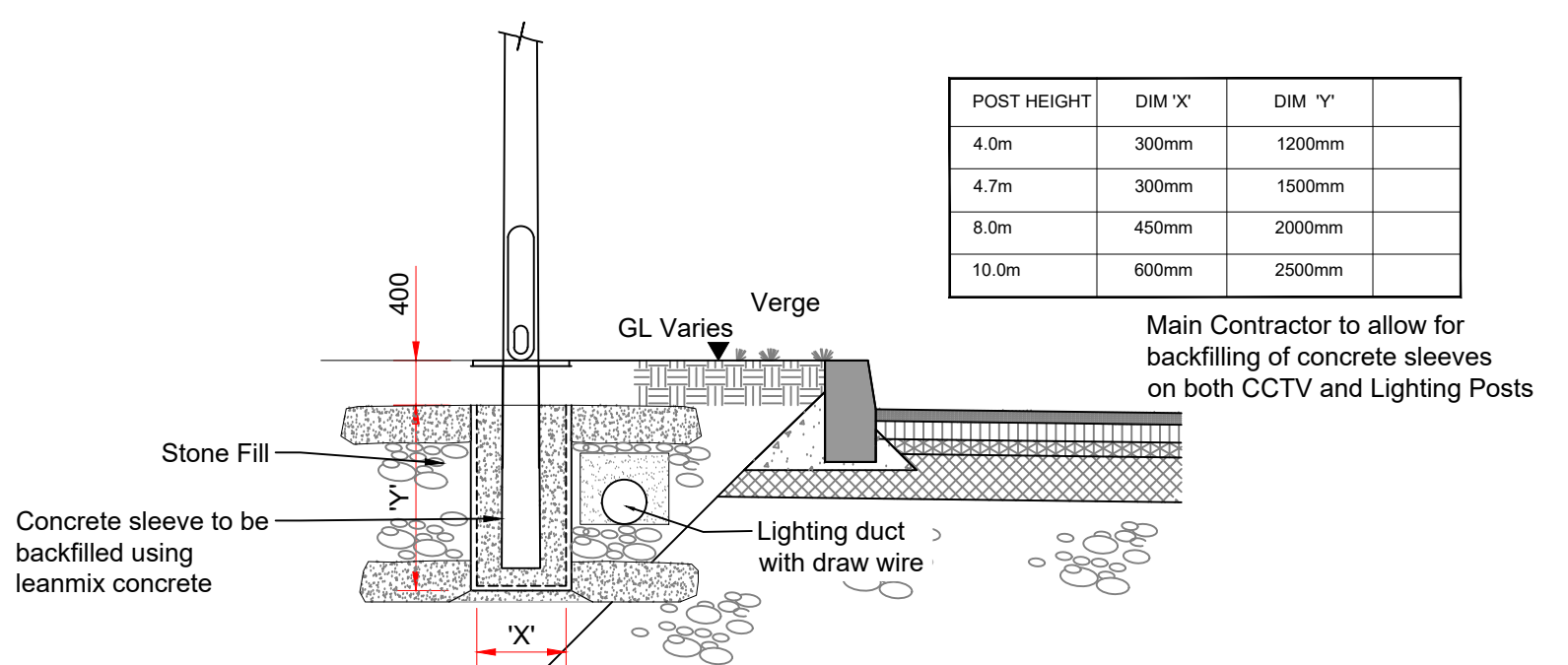
ROAD SIGN DETAILS
NTS



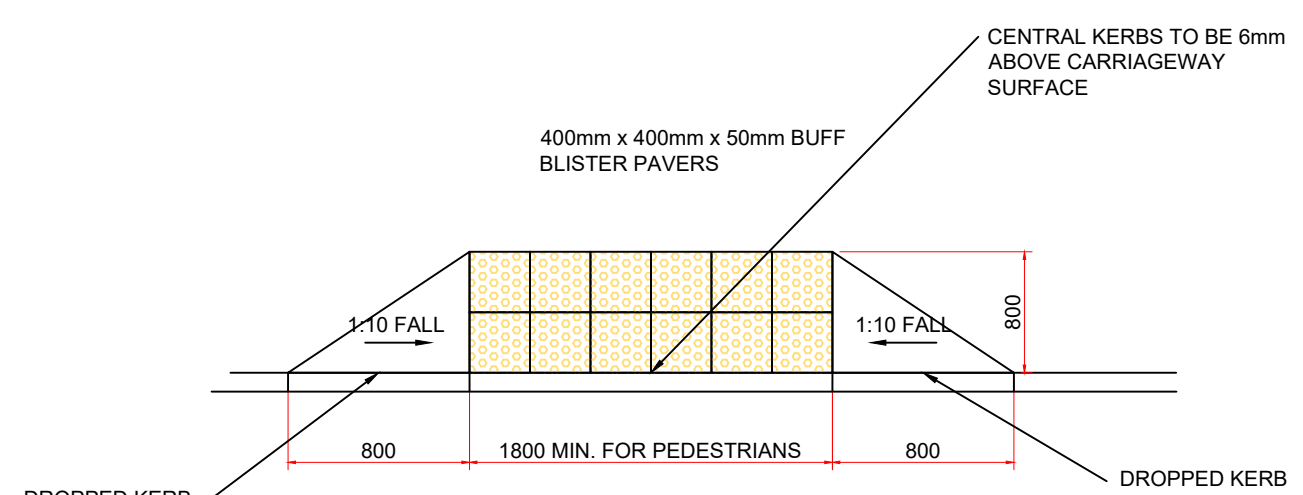
SURFACING INTERFACE DETAIL, EXISTING / PROPOSED ASPHALT
Scale 1:25

- NOTES:**
- FIGURED DIMENSIONS ONLY TO BE TAKEN FROM THIS DRAWING.
 - ALL DRAWINGS TO BE CHECKED BY THE CONTRACTOR ON SITE.
 - ENGINEER/EMPLOYERS REPRESENTATIVE, AS APPROPRIATE, TO BE INFORMED BY THE CONTRACTOR OF ANY DISCREPANCIES BEFORE ANY WORK COMMENCES.
 - THE CONTRACTOR SHALL UNDERTAKE A THOROUGH CHECK FOR THE ACTUAL LOCATION OF ALL SERVICES/UTILITIES ABOVE AND BELOW GROUND, BEFORE ANY WORK COMMENCES.
 - ALL LEVELS SHOWN RELATE TO ORDNANCE SURVEY DATUM AT MALIN HEAD

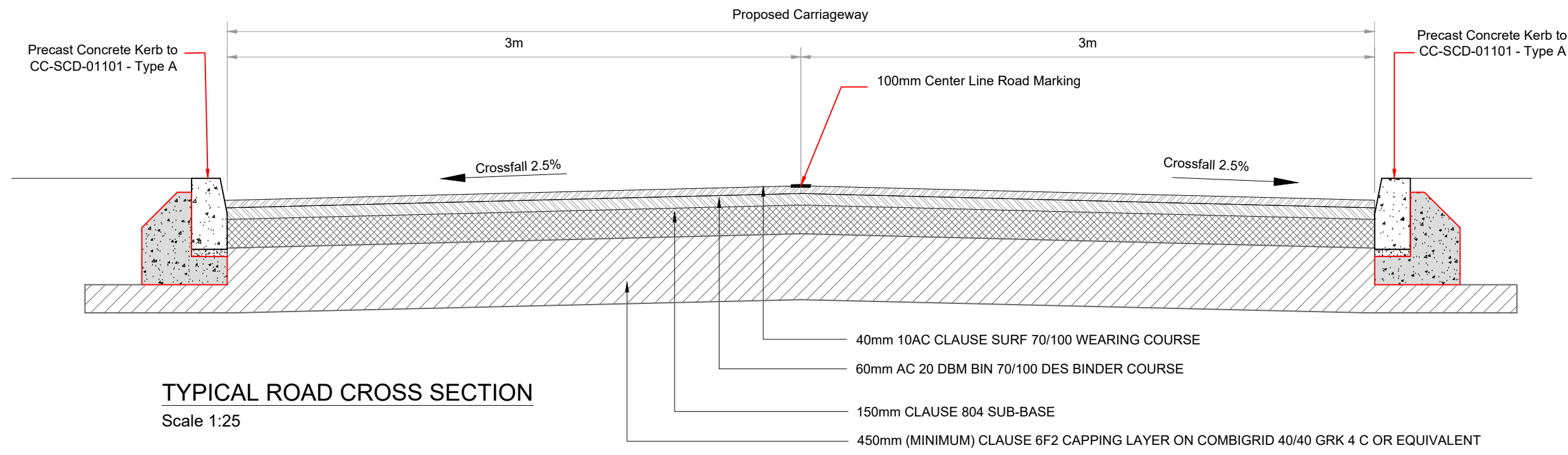
| Rev | Date | Description | By | Chkd. |
|-----|------------|--------------------|----|-------|
| P1 | 12.05.2021 | Issue For Planning | SB | MG |



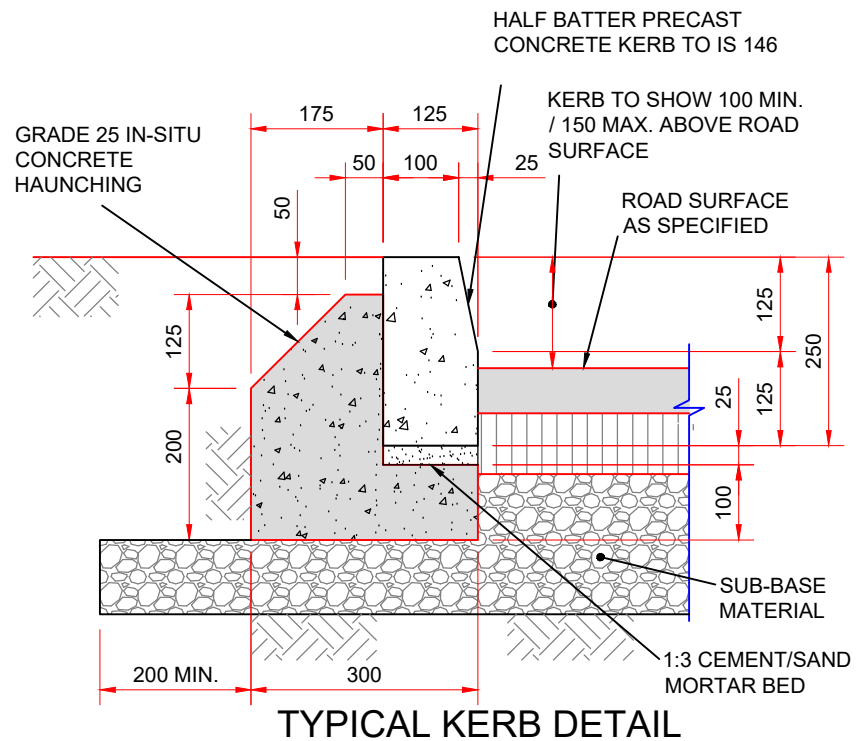
TYPICAL LIGHTING POST FOUNDATION DETAIL
scale 1:50



TYPICAL TACTILE PAVING & DROP KERB DETAILS
scale 1:50



TYPICAL ROAD CROSS SECTION
Scale 1:25



TYPICAL KERB DETAIL
scale 1:10

Client: Galway County Council

Project: Housing Development
Maigh Cuilinn, Co. Galway

Title: Site Development Details

Scale @ A1: As Shown

| | | |
|-------------------------------------|-------------|--------------|
| Prepared by: SB | Checked: MG | Date: May 21 |
| Project Director: Michael McDonnell | | |
| Drawing Status: Planning | | |

TOBIN
CONSULTING ENGINEERS

TOBIN Consulting Engineers,
Fairgreen House, Fairgreen Road,
Galway, Ireland.
tel: +353-(0)91-565211
fax: +353-(0)91-565398
e-mail: galway@tobin.ie
www.tobin.ie