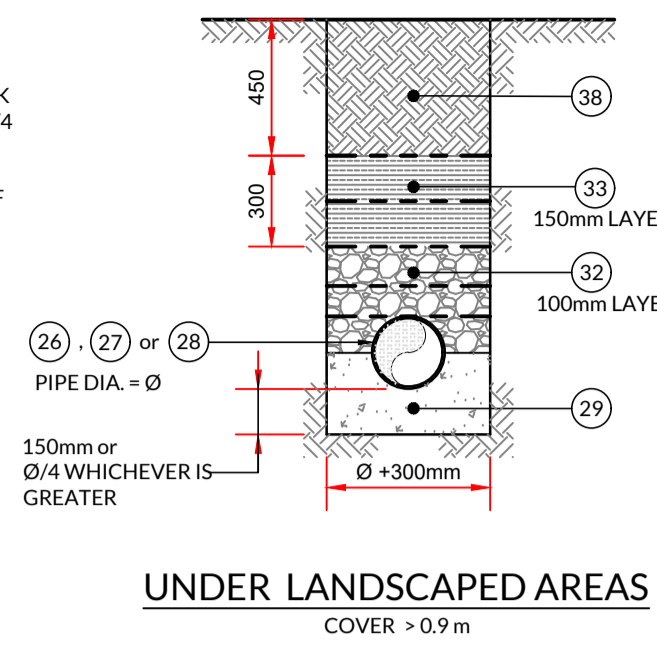
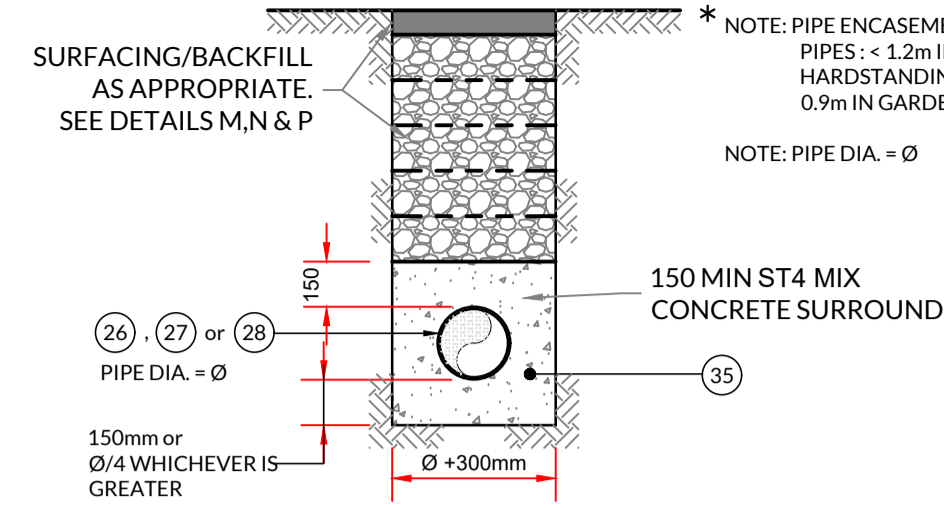


M - DETAIL: CONCRETE BEDDING
SCALE 1:25

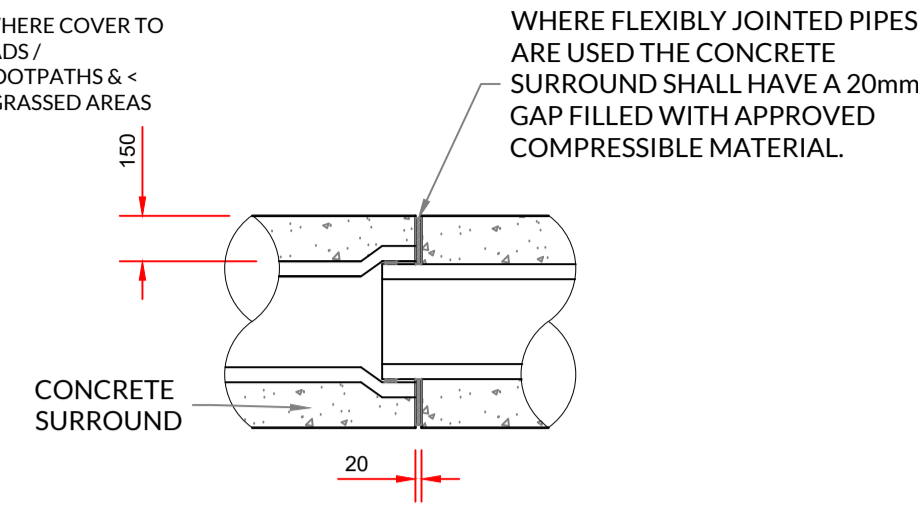


UNDER LANDSCAPED AREAS
COVER > 0.9m



CONCRETE PIPE ENCASEMENT DETAIL

Q - DETAIL: CONCRETE ENCASEMENT
SCALE 1:25



JOINT IN CONCRETE SURROUND

NOTES:

- 225mm REINFORCED CONCRETE BASE, GRADE 30/37.
- PERFORMED HALF CIRCLE CHANNEL PIPES, THE PIPELINE MAY, WHERE PRACTICABLE, BE LAID THROUGH THE MANHOLE & THE CROWN CUT OUT TO 1/2 DIAMETER. PROVIDED FLEXIBLE JOINTS ARE SITUATED ON EACH SIDE NO FURTHER THAN 600mm FROM INNER FACE OF THE MANHOLE WALL.
- MANHOLE DIAMETER:
 - BLOCK WORK MANHOLE:
 - SOLID BLOCK WORK TO BE OF HIGH STRENGTH (20N/mm²) TO IS EN 771.
 - MAXIMUM DEPTH IS 1.20m (THE USE OF BLOCK WORK IN DEEPER MANHOLES WILL BE CONSIDERED BUT SUCH USE WILL REQUIRE DETAILED STRUCTURAL DESIGN AND BE SUBJECT TO IRISH WATER REVIEW).
 - WALLS TO BE FLUSH AND NOT PLASTERED INTERNALLY. INTERNAL LINING OF ENGINEERING BRICK TO IS EN 773-1 TO A HEIGHT OF 1.0m ABOVE BENCHING. ENGINEERING BRICK TO BE BONDED TO BLOCK WORK USING ENGLISH GARDEN WALL BOND.
 - BLOCK WORK SHALL BE EMBEDDED & JOINTED USING MORTAR TO IS 406. BEDS & VERTICAL JOINTS TO BE COMPLETELY FILLED WITH MORTAR AS THE BLOCKS ARE LAID.
 - PRE-CAST CONCRETE MANHOLE:
 - THE UNITS ARE TO COMPLY WITH REQUIREMENTS OF IS EN 1917 AND BS 5911-PART 3.
 - THICKER MANHOLE BASES REQUIRED FOR SEWERS IN EXCESS OF 3.0m DEEP WHERE THE SIZE IS GREATER THAN THE STANDARD MINIMUM SIZE.
 - APPROVED PRE-CAST CONCRETE BASES MAY BE USED INCORPORATING CHANNELS, BENCHING ETC. SUBJECT TO IRISH WATER REVIEW AND COMPLYING WITH BS 5911-PART 4:2002.
 - IN-SITU CONCRETE MANHOLE:
 - TO HAVE A MINIMUM WALL AND FLOOR THICKNESS OF 225mm FOR ANHOLE DEPTHS UP TO 3.0m AND 300mm OR MORE WHEN THE MANHOLE DEPTHS EXCEEDS 3.0m.
 - RELIEVING ARCH FORMED BY 215x103x65 SOLID ENGINEERING BRICK CLASS A OR B. (RELIEVING ARCHES ARE USED IN BRICK OR BLOCK WORK MANHOLES EXTENDED OVER FULL THICKNESS OF WALLS). A DOUBLE ARCH TO BE FORMED FOR PIPE DIAMETER GREATER THAN 600mm.
 - BENCHING AND PIPE SURROUND - C30/37 CONCRETE.
 - 1:3 CEMENT: SAND MORTAR WITH STEEL TROWEL FINISH AT SLOPE OF 1:30 TOWARDS THE CHANNEL.
 - MANHOLE STEPS TO COMPLY WITH IS EN 13101, TYPE D, CLASS 1. GALVANIZED MILD STEEL STEP RUNGS, 20mm DIAMETER, SHALL BE PROVIDED WITH PLASTIC CAPSULATED FINISH. STEP RUNGS ARE TO BE PROVIDED IN MANHOLES WHERE THE DEPTH FROM GROUND TO THE SOFFIT OF THE PIPE IS UP TO 3.0m. FIXED LADDERS ARE REQUIRED IN MANHOLES WHERE THE DEPTH FROM GROUND TO THE SOFFIT OF THE PIPE EXCEEDS A DEPTH OF 3.0m AND UP TO 6.2m, AND SHALL COMPLY WITH IS EN 14396. ALL LADDER RUNGS, HANDRAILS, SAFETY CHAINS ETC. TO COMPLY WITH BS 729 OR EQUIVALENT.
 - 600mm SQUARE OPE IN ROOF.
 - MANHOLE ROOFS SHALL CONSIST OF REINFORCED CONCRETE SLAB OF IN-SITU CONCRETE 30/37, WITH A MINIMUM THICKNESS OF 125mm DESIGNED TO CARRY ALL LIVE AND DEAD LOADS ALTERNATIVELY, APPROVED PRE-CAST CONCRETE ROOF SLABS MAY BE USED SUBJECT TO IRISH WATER REVIEW AND COMPLIANCE WITH BS 5911 PART 4:2002. IN CONJUNCTION WITH IS EN 1979:2002 AND IS 420:2004.
 - 1 TO 3 MAX. COURSES OF CLASS B ENGINEERING BRICKS TO IS 91:1983 SE IN C 50/60 MORTAR.
 - MANHOLE COVER AND FRAME SHALL COMPLY TO IS EN 124 AND BS 7903 (ALL CLASS D400 COVERS SHALL HAVE MIN. FRAME DEPTH 100-150mm). MIN. OPE 600x600mm. COVER TO BE SE IN C 50/60 MORTAR.
 - SHORT LENGTH PIPE & PIPE JOINT EXTERNAL TO MAHOLES SHALL NOT EXCEED 600mm FROM THE INNER FACE OF THE MANHOLE WALL.
 - TOE HOLES OF 230mm MINIMUM DEPTH & GALVANIZED SAFETY REININGS TO BE PROVIDED IN BENCHING OF SEWERS GREATER THAN 225mm Ø & DEPTH TO INVERT: 3.0m FOR ACCESS TO INVERT.
 - STAINLESS STEEL CHAIN IS TO BE PROVIDED ON PIPES THAT EXCEEDED 450mm Ø, COMPLYING WITH BS4942 PART 2 OR EQUIVALENT.
 - PIPE SHOULD BE CUT FLUSH WITH THE INSIDE SURFACE OF THE MANHOLE WALLS SO THAT CHANNEL EXTENDS THE FULL LENGTH OF THE MANHOLE.
 - ALL MANHOLES SHALL BE WATERTIGHT TO THE SATISFACTION OF THE ENGINEER.
 - FORMWORK TO REINFORCED CONCRETE & MASS CONCRETE SHALL COMPLY WITH CLASS 2 SECTION 6.2.7, BS 8110 PART 1:1997.
 - FINISH TO THE TOP OF SLAB SHALL COMPLY WITH TYPE A SECTION 6.2.7, BS 8110 PART 1:1997.
 - PLAN DIMENSIONS OF MANHOLES ARE BASED ON BLOCK WORK HAVING A CO-ORDINATING SIZE OF 450x225x100. FORT PIPE DIAMETER OF > 750mm USE MANHOLE WITH INTERNAL DIAMETER SIZE = PIPE SIZE + 10mm + 300mm.
 - MANHOLES ARE DESIGNED TO BS 8005 & WALL THICKNESS TO IS 325. BLOCK WORK DESIGN CODE TAKING MANHOLE FILL PRESSURE & HS SURCHARGE.
 - REINFORCEMENTS TO SLABS TO ENGINEERS DETAILS.

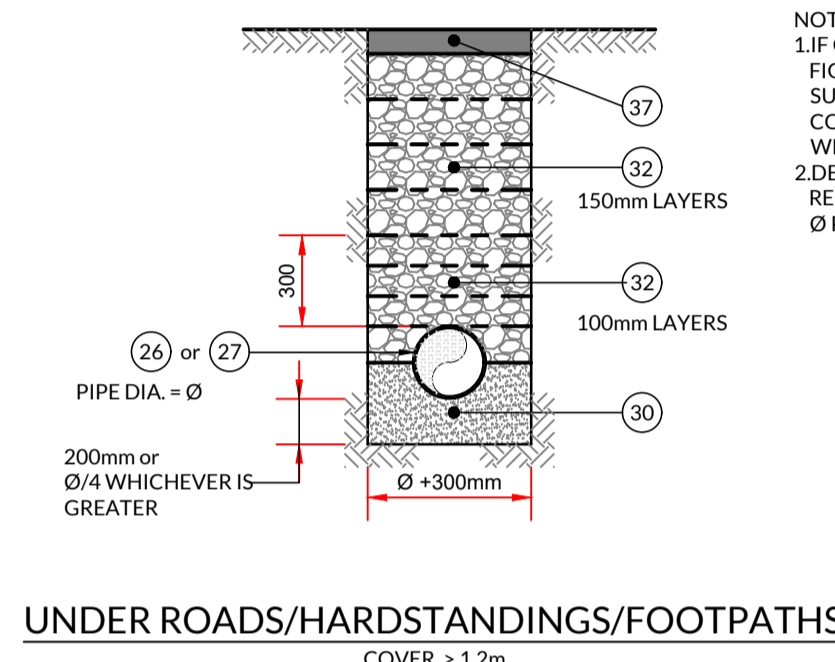
OF 150mm.

- GRANULAR BACKFILL MATERIAL SHALL BE IN COMPLIANCE WITH CLAUSE 804 (GRANULAR MATERIAL TYPE B) OF THE NRA SPECIFICATION FOR ROAD WORKS. GRANULAR FILL SHOULD BE PLACED ON EITHER SIDE OF THE FILL IN UNIFORM LAYERS NOT EXCEEDING 100mm. EACH LAYER BEING COMPACTED BY HAND & UNDERGOING TAMPING UNTIL IT HAS A MINIMUM LAYER OF 300mm COMPACTED OVER. CARE SHOULD BE TAKEN SO THAT THE TAMPING DOES NOT DISPLACE THE PIPE FROM ITS CORRECT LINE AND LEVEL. SUBSEQUENT LAYER OF GRANULAR MATERIAL TO BE COMPACTED IN 150mm THICK LAYERS TO THE LOCAL AUTHORITY ROAD DIVISION SPECIFICATION. MECHANICAL COMPACTING EQUIPMENT SHOULD NOT BE USED UNTIL THERE IS A MINIMUM 450mm THICK COMPACTED COVER OVER THE CROWN OF THE PIPE.
- SELECTED FILL SHOULD BE FREE FROM STONES LARGER THAN 37mm, LUMPS OF CLAY OVER 75mm, TIMBER, FROZEN MATERIAL & VEGETABLE OR FOREIGN MATTER. SELECTED FILL ON EITHER SIDE OF THE PIPE SHOULD BE LAID IN 100mm THICK LAYERS. EACH LAYER BEING COMPACTED BY HAND & UNDERGOING TAMPING UNTIL IT HAS A MINIMUM LAYER OF 450mm COMPACTED OVER. CARE SHOULD BE TAKEN SO THAT THE TAMPING DOES NOT DISPLACE THE PIPE FROM ITS CORRECT LINE AND LEVEL & COMPACTED IN 150mm LAYERS.
- GENERAL BACKFILL MATERIAL SUITABLE FOR BACKFILL ABOVE SELECTED FILL MATERIAL SHOULD BE FREE FROM BOULDERS, LUMPS OF CONCRETE, TIMBER & VEGETABLE OR FOREIGN / CONTAMINATED MATTER. GENERAL BACK FILL SHOULD BE PLACED IN LAYERS NOT EXCEEDING 300mm. EACH LAYER BEING WELL COMPACTED. MECHANICAL COMPACTING EQUIPMENT SHOULD NOT BE USED UNTIL THERE IS MINIMUM OF 450mm COMPACTED COVER OVER THE CROWN OF THE PIPE.
- PIPES WITH INADEQUATE COVE TO BE SURROUNDED IN 150mm THICK C 16/20 CONCRETE.
- LEAN MIX BACKFILL IN EXISTING ROADS, WHERE REQUIRED BY THE LOCAL AUTHORITY TO BE GRADE 20N/20mm CONCRETE.
- PAVING TO BE IN ACCORDANCE WITH THE ROAD SPECIFICATION & IF APPROPRIATE, THE LOCAL AUTHORITY REQUIREMENTS.
- GOOD QUALITY TOPSOIL 450mm MINIMUM THICKNESS, TO BE PLACED OVER BACKFILL IN ACCORDANCE WITH PARKS DEPARTMENTS/LANDSCAPE ARCHITECTS.
- AJ'S (ARMSTRONGS JUNCTIONS)
 - TO BE USED FOR PIPE DEPTHS UP TO 600mm
 - INTERNAL AJ'S IF REQUIRED TO HAVE DOUBLE SEALED COVERS
 - EXTERNAL AJ'S TO BE PROPRIETARY UPVC WITH 35KN COVER
 - EXTERNAL AJ'S IN AREAS SUBJECT TO TRAFFIC TO BE SURROUNDED IN 150mm C20 CONCRETE & TO HAVE CLASS D COVER AND FRAME SUPPORTED OF THE CONCRETE SURROUND.

NOTES:

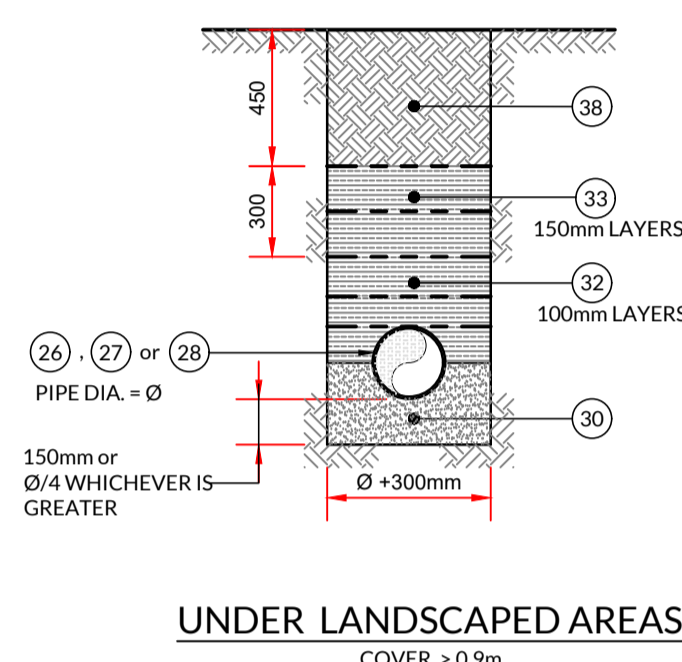
- FIGURED DIMENSIONS ONLY TO BE TAKEN FROM THIS DRAWING.
- ALL DRAWINGS TO BE CHECKED BY THE CONTRACTOR ON SITE
- ENGINEER/EMPLOYERS REPRESENTATIVE, AS APPROPRIATE, TO BE INFORMED BY THE CONTRACTOR OF ANY DISCREPANCIES BEFORE ANY WORK COMMENCES
- THE CONTRACTOR SHALL UNDERTAKE A THOROUGH CHECK FOR THE ACTUAL LOCATION OF ALL SERVICES/UTILITIES, ABOVE AND BELOW GROUND, BEFORE ANY WORK COMMENCES
- ALL LEVELS SHOWN RELATE TO ORDNANCE SURVEY DATUM AT MALIN HEAD
- PIPE BEDDING FOR FOU, SEWER TO BE IN ACCORDANCE WITH IRISH WATER STANDARD DETAILS AND CODE OF PRACTICE - IRISH WATER DETAILS & REQUIREMENTS WILL TAKE PRECEDENCE

Rev	Date	Description	By	Chkd.
D01	12/07/2023	Draft Planning	RM	RB

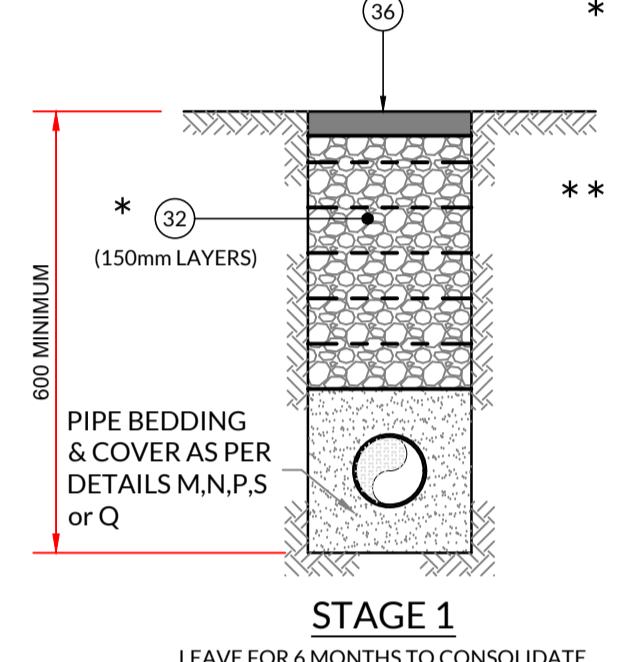


UNDER ROADS/HARDSTANDING/FOOTPATHS
COVER > 1.2m

N - DETAIL: GRANULAR BEDDING
SCALE 1:25

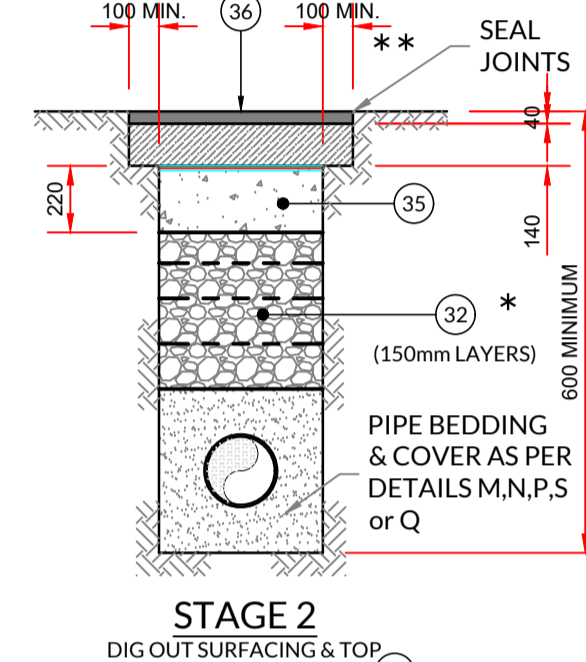


UNDER LANDSCAPED AREAS
COVER > 0.9m



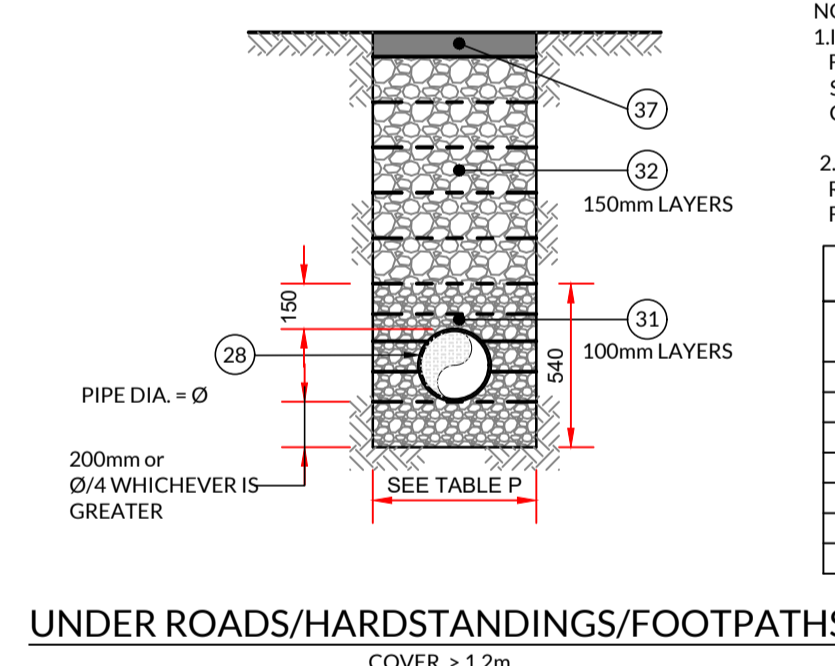
STAGE 1
LEAVE FOR 6 MONTHS TO CONSOLIDATE

R - DETAIL: REINSTATEMENT OF PIPE TRENCH IN EXISTING ROAD
SCALE 1:25



STAGE 2
DIG OUT SURFACING & TOP 220mm OF CL808 MATERIAL (22) & REPLACE WITH NEW WIDER SURFACING ON 220mm LAYER OF LEAN-MIX CONCRETE (35)

- FORM A SAW CUT 100mm DEEP AT A MIN. OF 100mm FROM SIDES OF EXCAVATION PRIOR TO PERMANENT REINSTATEMENT. WHERE ANY TRIM LINES ARE WITHIN 400mm OF ROAD EDGE, JOINT, OTHER REINSTATEMENT, OR IRONWORK, THE TRIM LINE SHOULD BE EXTENDED TO THE INTERFACE OF SUCH SITUATIONS.
- LEAN-MIX SURFACE TO BE SPRAYED AS PER CLAUSE 920 (NRA SPEC.) PRIOR TO APPLICATION OF BINDER COURSE MACADAM.
- 100°C HOT BITUMEN BINDER 50 PEN OR COLD THIXOTROPIC BITUMEN 50 - 70 PEN TO BE APPLIED TO ALL VERTICAL CUTS IN ACCORDANCE WITH IS EN 13108-4 PRIOR TO APPLICATION OF BITUMINOUS MATERIAL.
- JOINTS SEALED WITH HOT BITUMEN AND TOPPED WITH FINE SAND / GRIT TO GET A MINIMUM 55 SKID RESISTANCE VALUE AS DETERMINED BY THE PORTABLE SKID RESISTANCE PENDULUM USED IN ACCORDANCE WITH ROAD NOTE 27 AND SHALL NOT EXCEED 3mm THICKNESS AND 25mm WIDTH.

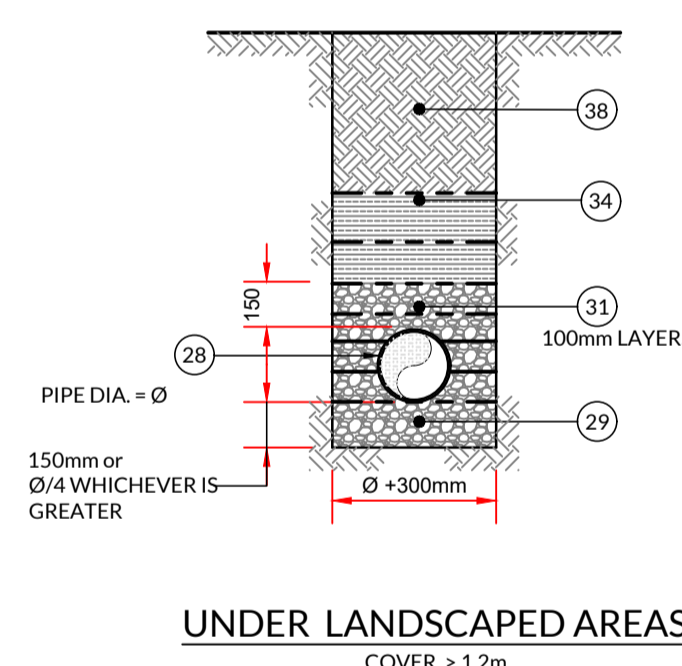


UNDER ROADS/HARDSTANDING/FOOTPATHS
COVER > 1.2m

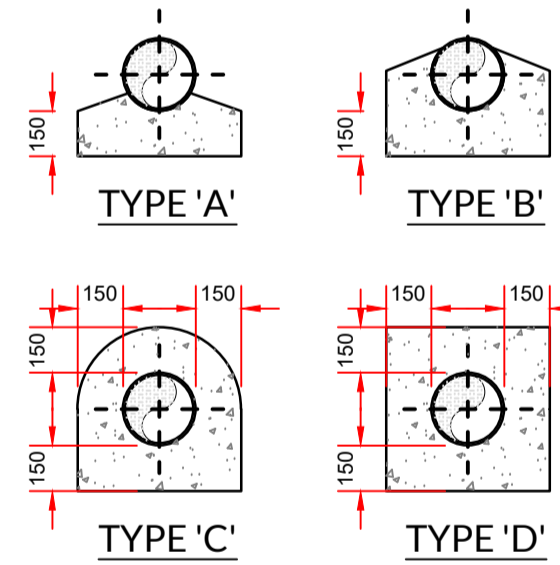
P - DETAIL: UPVC PIPES BEDDING
SCALE 1:25

TABLE P

PIPE SIZE (mm)	WIDTH OF TRENCH (mm)
110	450
160	450
200-250	600
315	700
355	750
400	800
450	850
	1000



UNDER LANDSCAPED AREAS
COVER > 1.2m

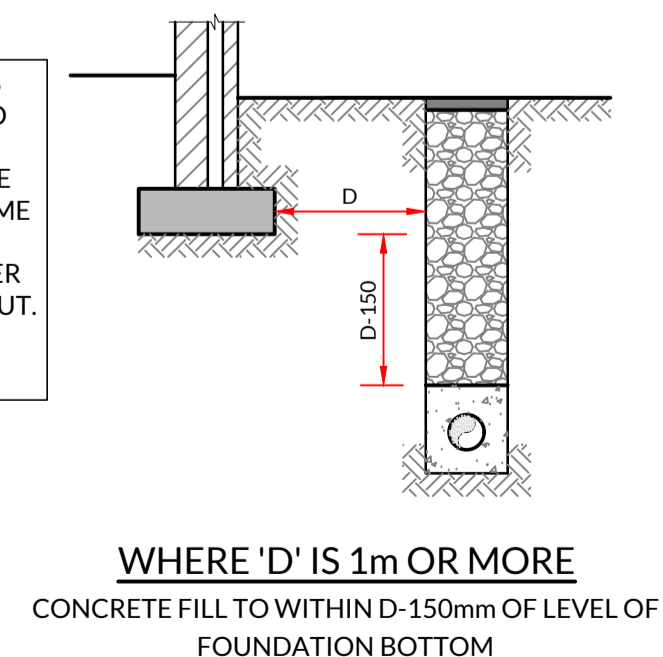
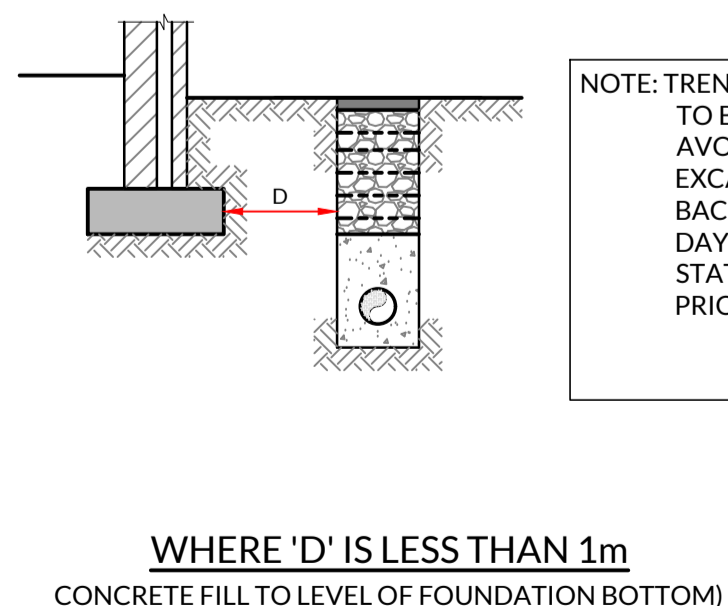


S - DETAIL
SCALE 1:25

GENERAL NOTES

- IN SOFT GROUND CONDITIONS (CBR < 5) THE MATERIAL SHOULD BE EXCAVATED AND DISPOSED OF IN ACCORDANCE WITH THE WASTE MANAGEMENT ACT AND CLAUSE 804/808 MATERIAL IN ACCORDANCE WITH THE NATIONAL ROADS AUTHORITY SPECIFICATION FOR ROAD WORKS SHALL REPLACE THE EXCAVATED MATERIAL WRAPPED IN GEO-TEXTILE WRAPPING. ALTERNATIVELY, SPECIAL PIPE SUPPORT ARRANGEMENTS, INCLUDING PILING ETC. MAY BE REQUIRED WHERE THE DEPTH OF SOFT MATERIAL IS EXCESSIVE. SUCH ARRANGEMENTS SHALL BE SUBJECT TO ASSESSMENT BY IRISH WATER BEFORE ADVANCING WITH THE WORK.
- PIPES SHALL NOT BE SUPPORTED ON STONES, ROCKS OR HARD OBJECT AT ANY POINT ALONG THE TRENCH. ROCK SHALL BE EXCAVATED TO A DEPTH OF 150mm BELOW THE ACTUAL DEPTH OF THE TRENCH WITH THE VOID FILLED WITH CLAUSE 804 MATERIAL IN ACCORDANCE WITH THE NRA SPECIFICATION FOR ROAD WORKS. THE GRANULAR MATERIAL SHALL BE LAID ABOVE THIS VOID BACKFILL MATERIAL.
- NON DEGRADABLE MARKER TAPE SHOULD BE INSTALLED AT TOP OF PIPE BEDDING LAYER. IN CASE OF NON METAL PIPE MATERIAL THE MARKER SHOULD INCORPORATE A TRACE WIRE WHICH IS LINKED TO THE FITTINGS AND AND TERMINATED AT THE PLUMBING STATION AND DISCHARGE MANHOLE.
- TRENCH WIDTHS FOR PIPE SIZES 80mm AND LESS MAY BE < 500mm SUBJECT TO CONSIDERATION BEING GIVEN TO THE TRENCH DEPTH, HGS, CONSTRUCTION ACCESS REQUIREMENTS.
- THE HAUNCHES AND SURROUNDS TO BE FORMED USING FORM WORK AND PROVIDE A ROUGH CAST.
- EXPANSION JOINTS IN THE CONCRETE SHALL BE PROVIDED AT ALL PIPE JOINTS TO ALLOW FOR PIPE FLEXIBILITY. COMPRESSIBLE FILLER BOARD TO BE IN ACCORDANCE WITH BS EN 622-1 AND BS EN 622-4 AND TO BE 18mm THICK.
- POLYETHYLENE PIPES SHALL BE WRAPPED IN PLASTIC SHEETING HAVING A COMPOSITION IN ACCORDANCE WITH BS 6076 BEFORE BEING CAST INTO CONCRETE.
- BITUMINOUS MATERIAL SHALL NOT BE PUT IN CONTACT WITH PE OR PVC PIPES.

NOTE: TRENCHES FOR PIPES NEAR FOUNDATIONS TO BE EXCAVATED IN SHORT SECTIONS TO AVOID UNDERMINING OF FOUNDATIONS. EXCAVATION, PIPELAYING AND CONCRETE BACKFILL TO BE CARRIED OUT ON THE SAME DAY. CONTRACTOR TO SUBMIT METHOD STATEMENT FOR REVIEW BY THE ENGINEER PRIOR TO EXCAVATION BEING CARRIED OUT.



T - DETAIL: CONCRETE PIPE LAID NEAR FOUNDATIONS
SCALE 1:50

Client: Galway County Council

Project: Proposed Residential Development
Baile an Chlair
Claregalway

Title: Standard Pipe Bedding Details

Scale @ A1: As Shown

Prepared by: RM
Checked: RB
Date: July 2023

Project Director: Brian Carroll

Drawing Status: Draft Planning

TOBIN CONSULTING ENGINEERS

Galway Office
Fairgreen House, Fairgreen Road,
Galway,
H91 AXK8,
Ireland.

Tel: +353 (0)91 565 211
www.tobin.ie

Drawing No: 11171-2019D01

Revision: