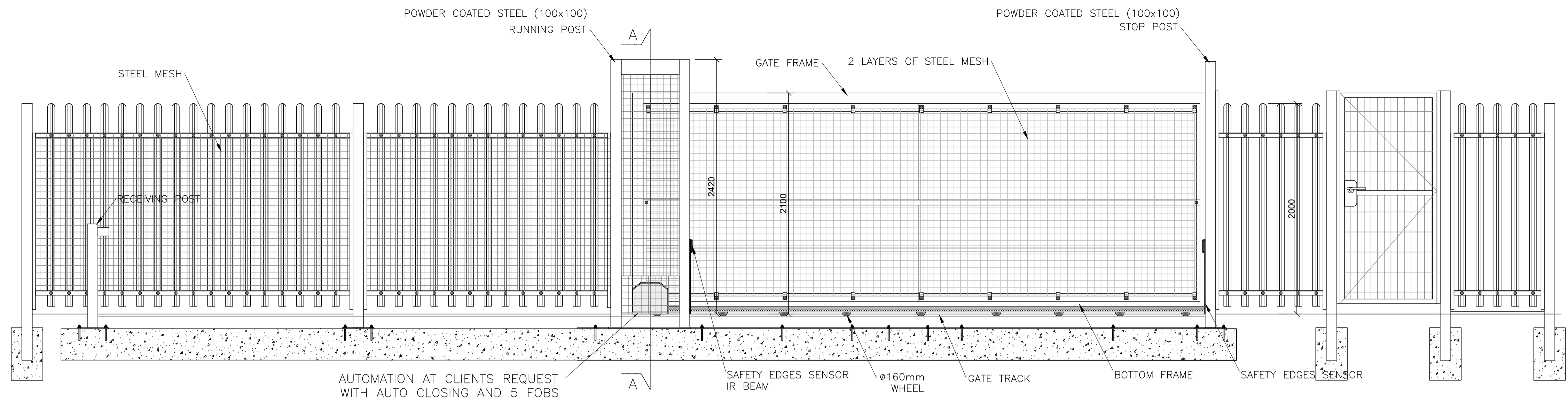
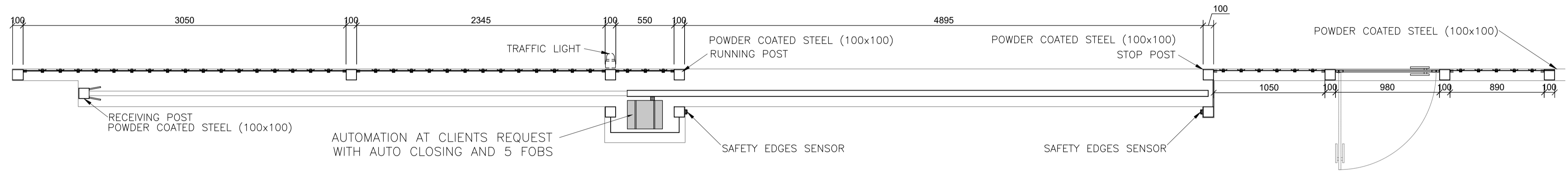


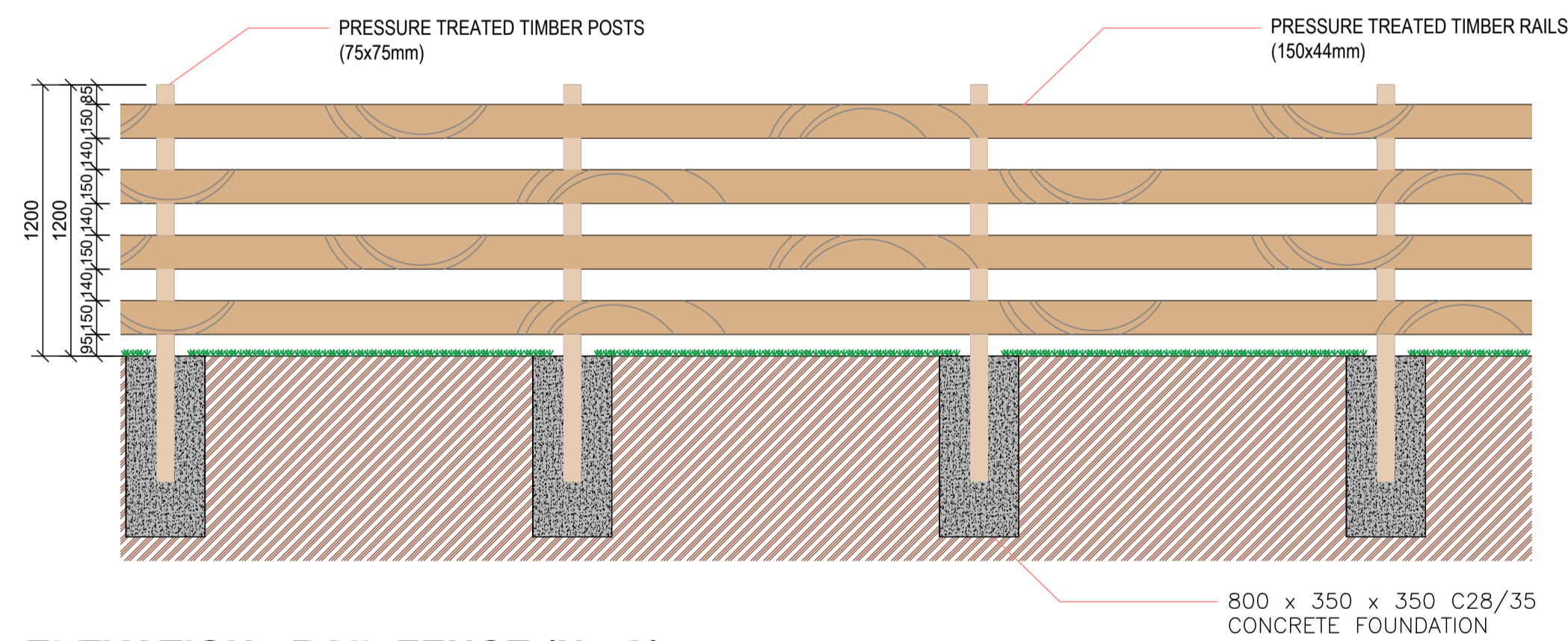
SLIDING GATE SECTION A - A
(Scale 1:25)



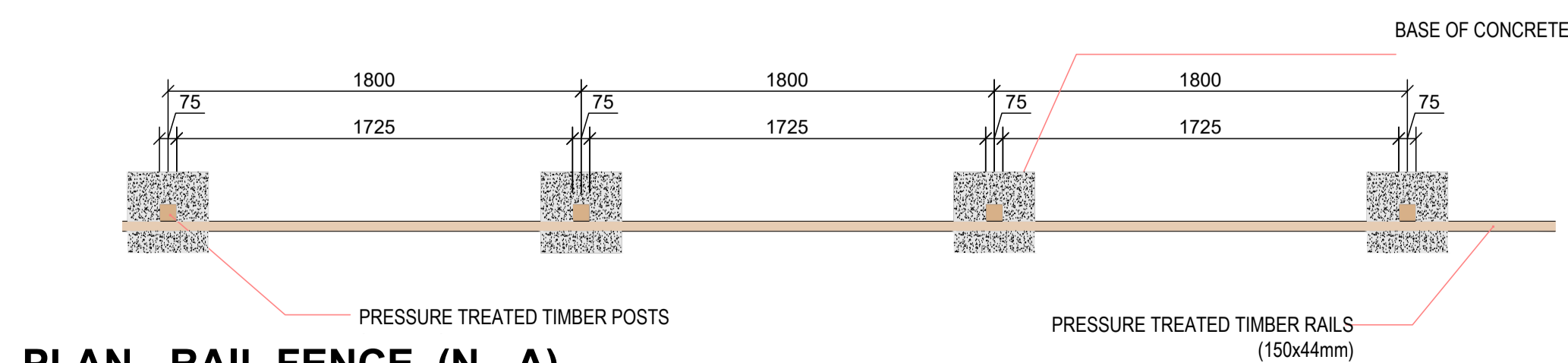
SLIDING GATE AND PALISADE RAILING (N - O) ELEVATION
(Scale 1:25)



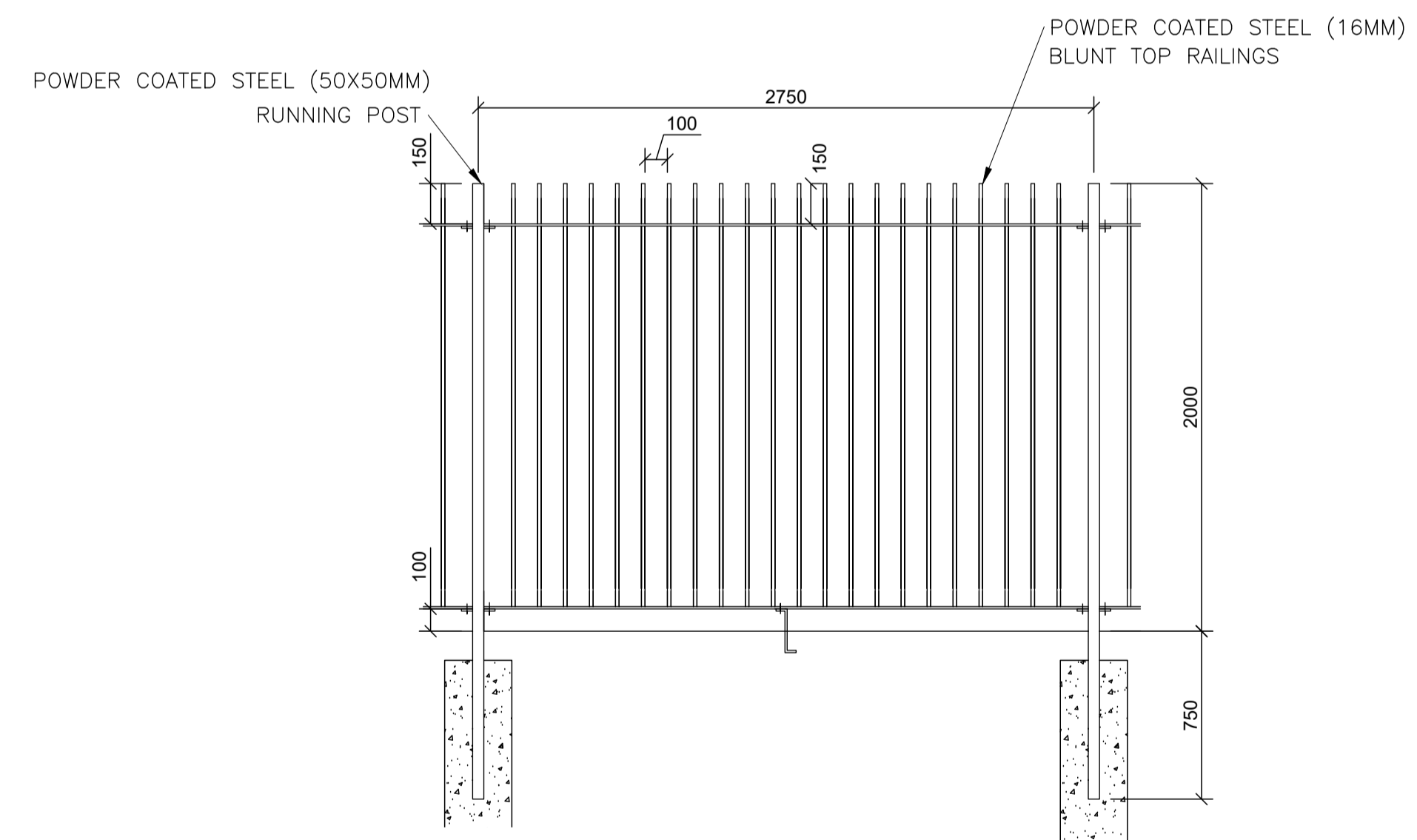
SLIDING GATE AND PALISADE RAILING PLAN
(Scale 1:25)



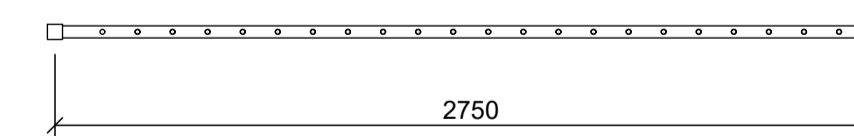
ELEVATION - RAIL FENCE (N - A)
(Scale 1:25)



PLAN - RAIL FENCE (N - A)
(Scale 1:25)



ELEVATION - BLUNT TOP RAILINGS (G - J)
(Scale 1:25)



PLAN - BLUNT TOP RAILINGS (G - J)
(Scale 1:25)

NOTE:
• ALL SERVICES, LEVELS AND STRUCTURE TO ENGINEERS DETAILS/SPECIFICATION.
• NOT FOR CONSTRUCTION PURPOSES.

Rev	Description	By	Date

		Galway Suite 4 Clont MHL, Dublin Road, Galway, H91 V97E E: info@vha.ie www.vha.ie	Sligo 1-3 Abbey Street, Abbeyquarter North, Sligo, F91 X160 T: 091 483 934 T: 071 915 0022	Maynooth Office 20, Block B Maynooth Business Campus, Kildare T: 071 915 0022
Client: Galway County Council Project: Loughrea Fire Station		Drawing: External Works Description:		
Status: Planning Date: 05.07.22		Drawing No: 211109 - 3 - 103 Drawn by: IMCh Checked by: BF		
Scale: 1:25 @ a1		Rev:		

IT IS THE CONTRACTOR'S RESPONSIBILITY TO ENSURE COMPLIANCE WITH ALL ASPECTS OF THE CURRENT BUILDING REGULATIONS.
USE ONLY FIGURED DIMENSIONS.
DO NOT SCALE OFF THIS DRAWING.
IT IS THE CONTRACTOR'S RESPONSIBILITY TO ENSURE COMPLIANCE WITH ALL CONDITIONS IMPOSED BY THE LOCAL PLANNING AUTHORITY.
IN DOUBT ASK.