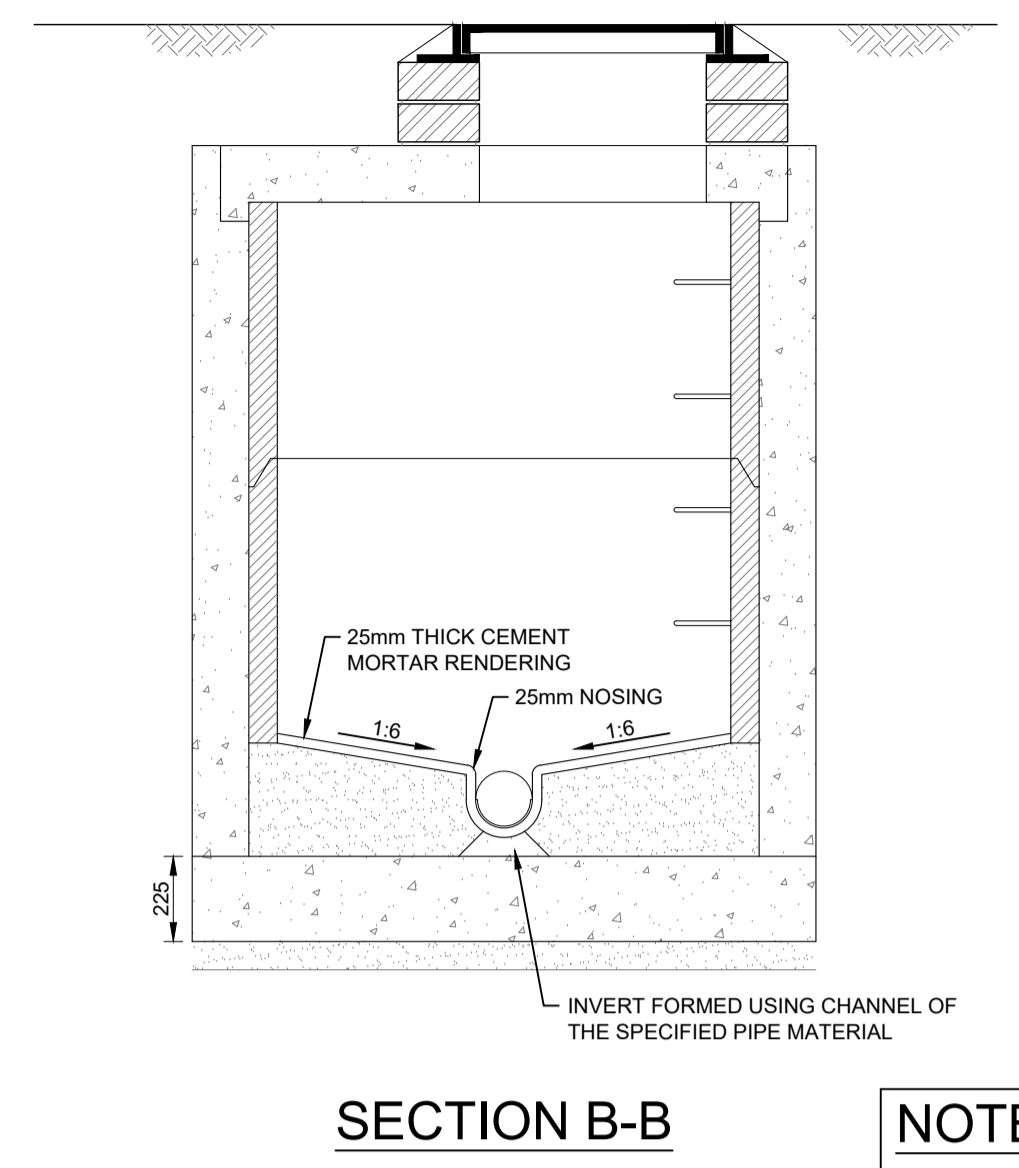
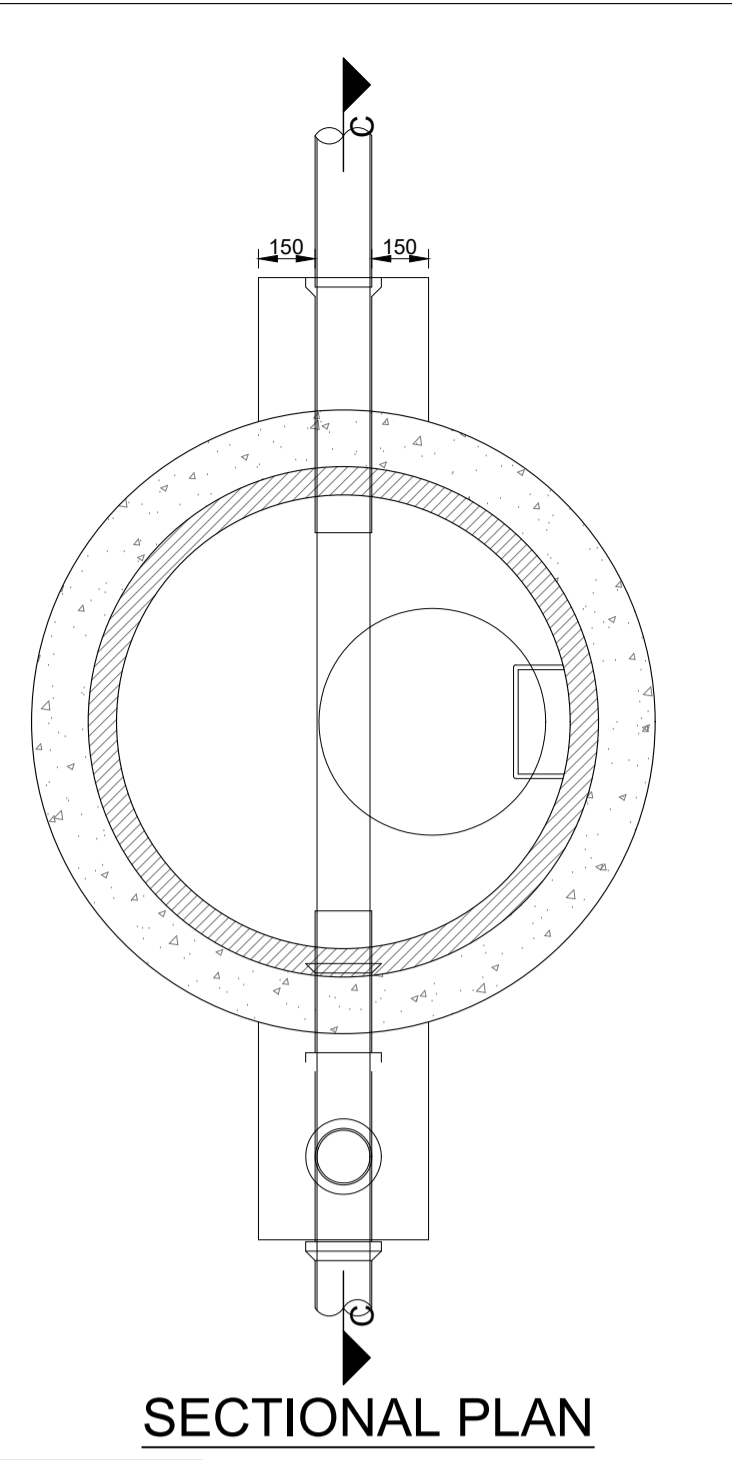


SHALLOW PRECAST CONCRETE MANHOLE
SCALE 1:20

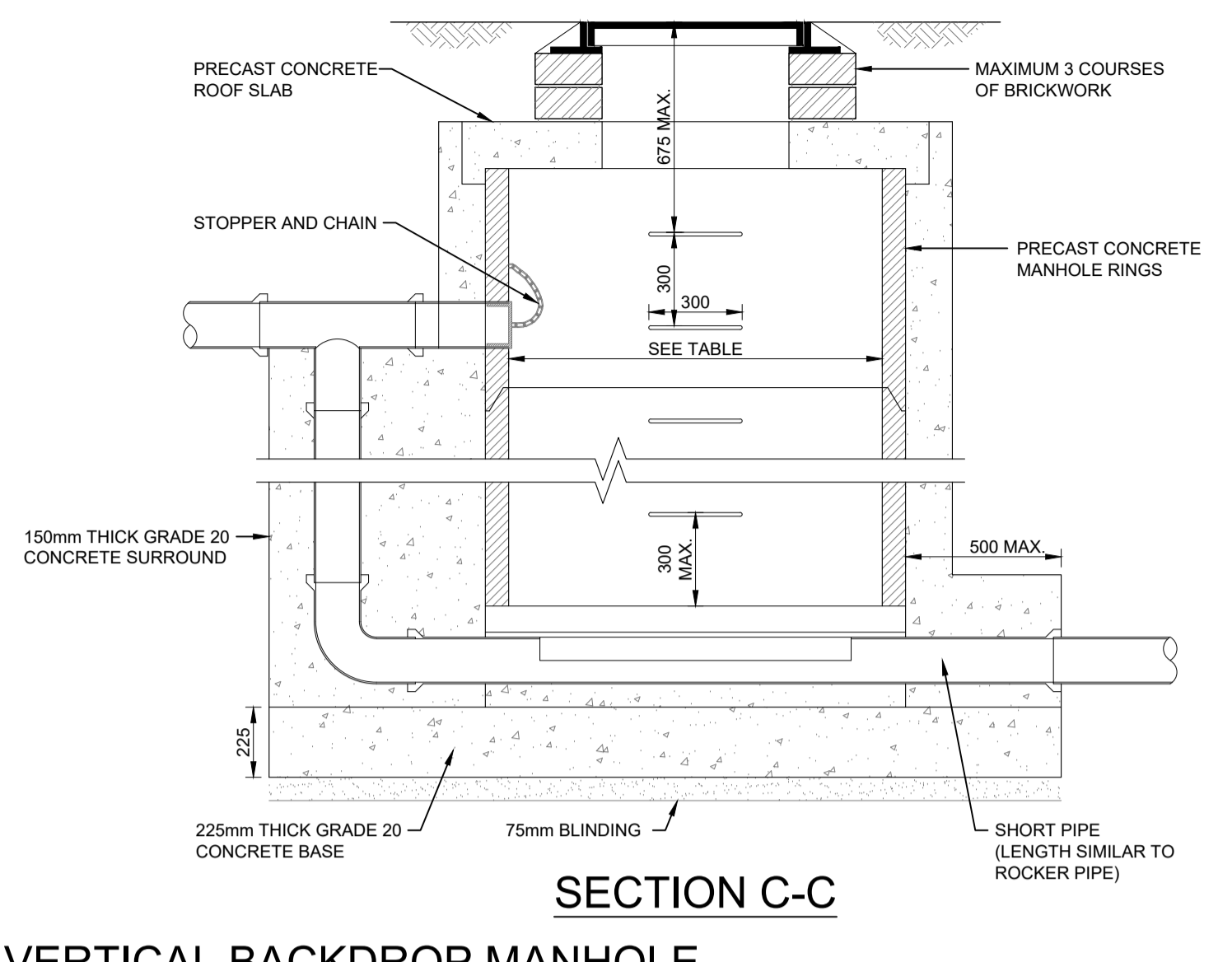


SECTION B-B

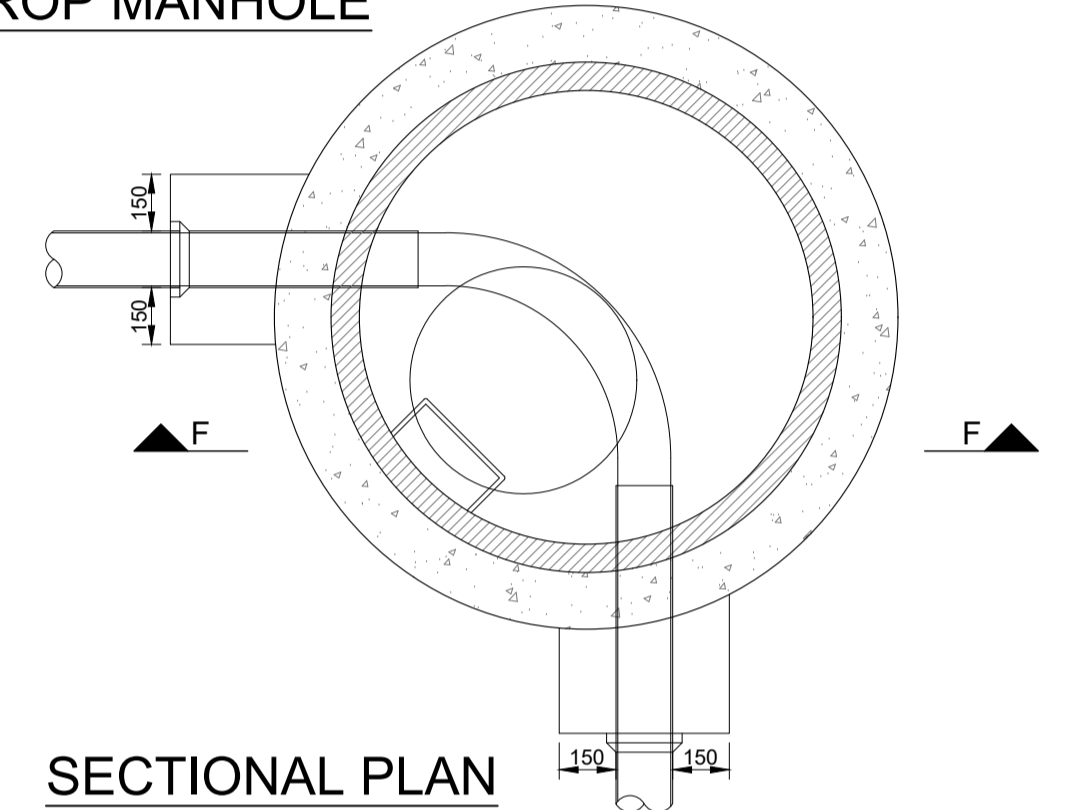
NOTE:
TYPICAL APPROVED PRECAST CONCRETE TYPE MANHOLES MAY ALSO BE USED MANHOLES UP TO 1.5m DEEP MAY BE CONSTRUCTED IN 215mm BLOCKWORK



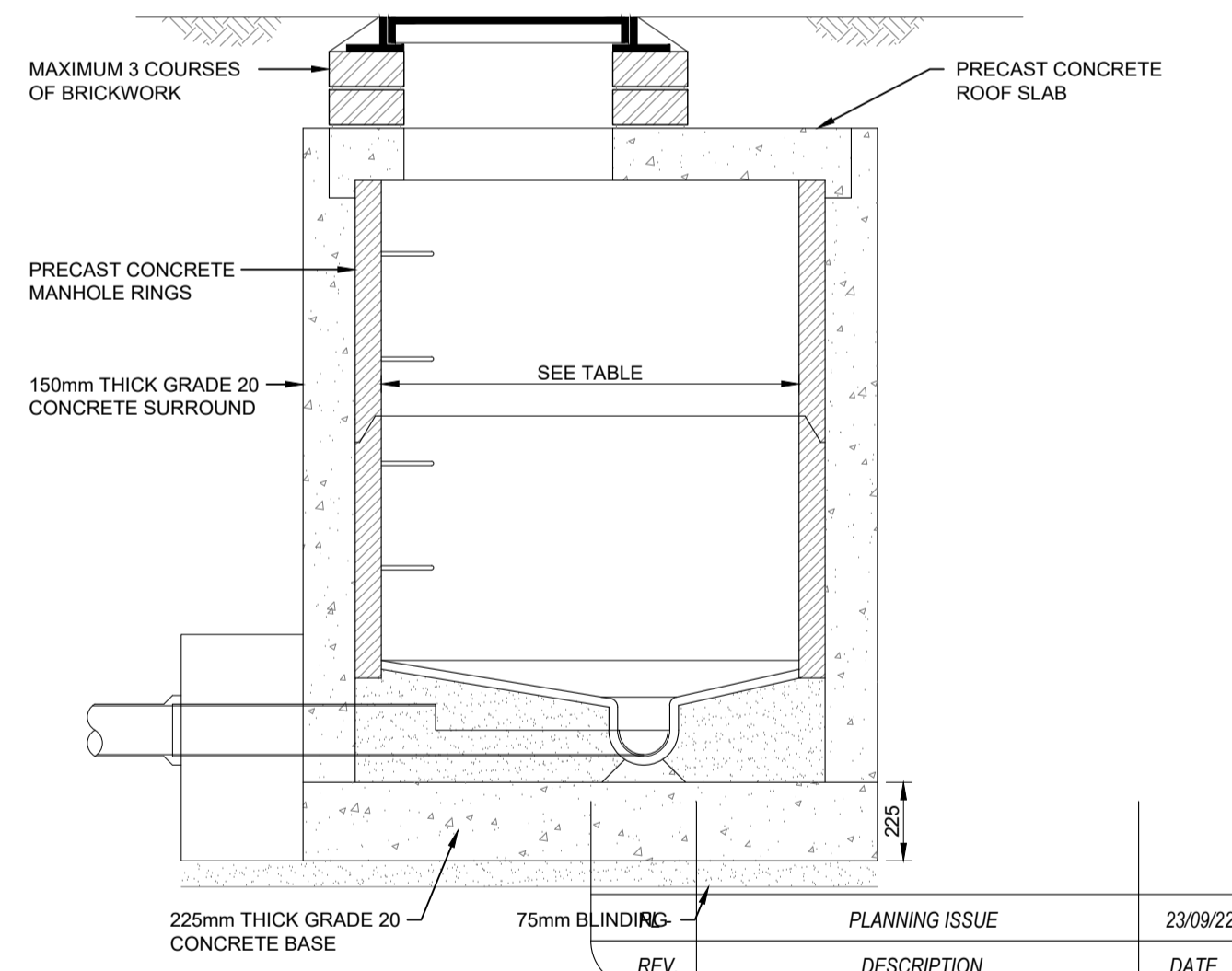
SECTIONAL PLAN
SCALE 1:20



VERTICAL BACKDROP MANHOLE
SCALE 1:20



SECTIONAL PLAN
SCALE 1:20



PRECAST CONCRETE CORNER MANHOLE
SCALE 1:20

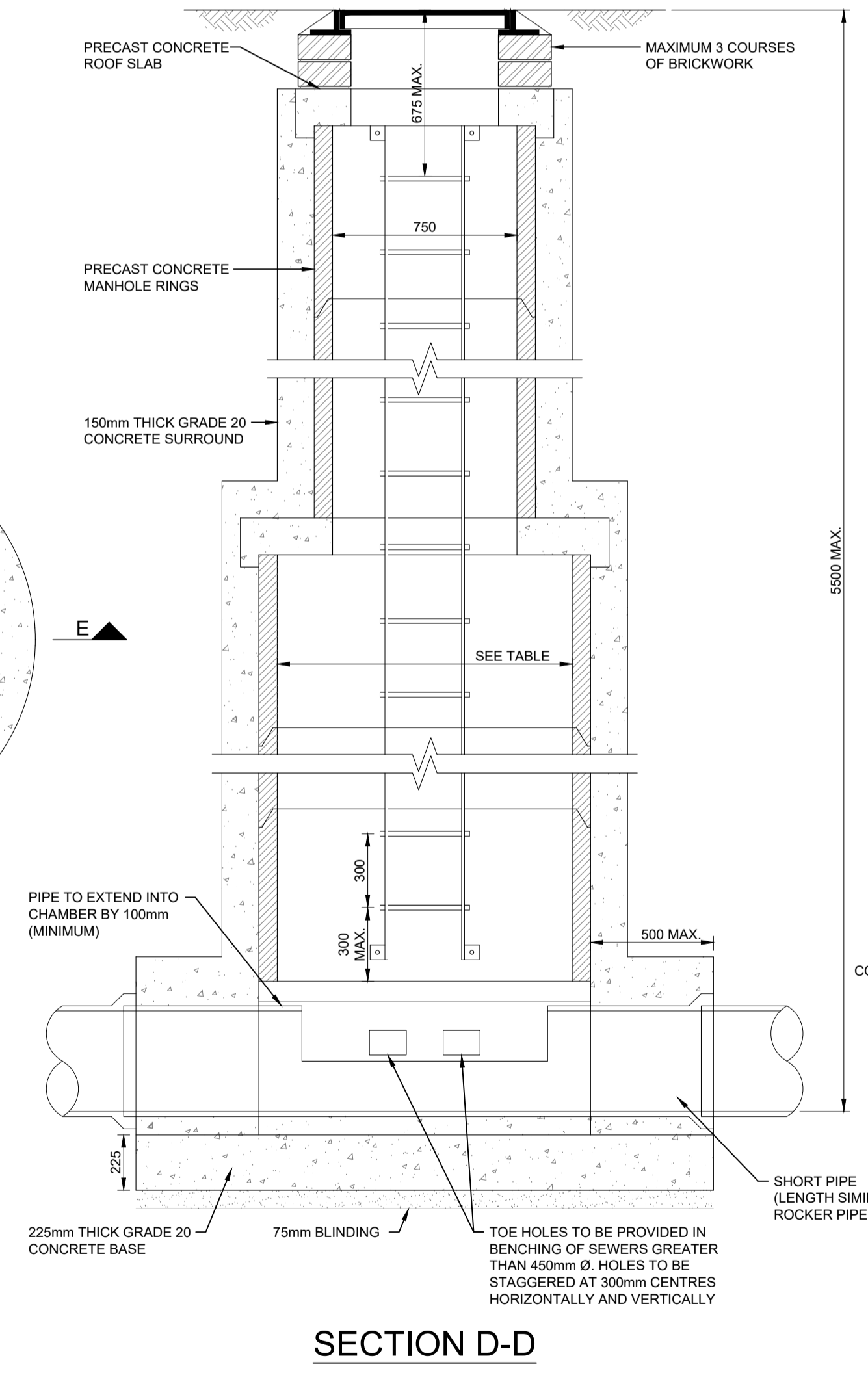
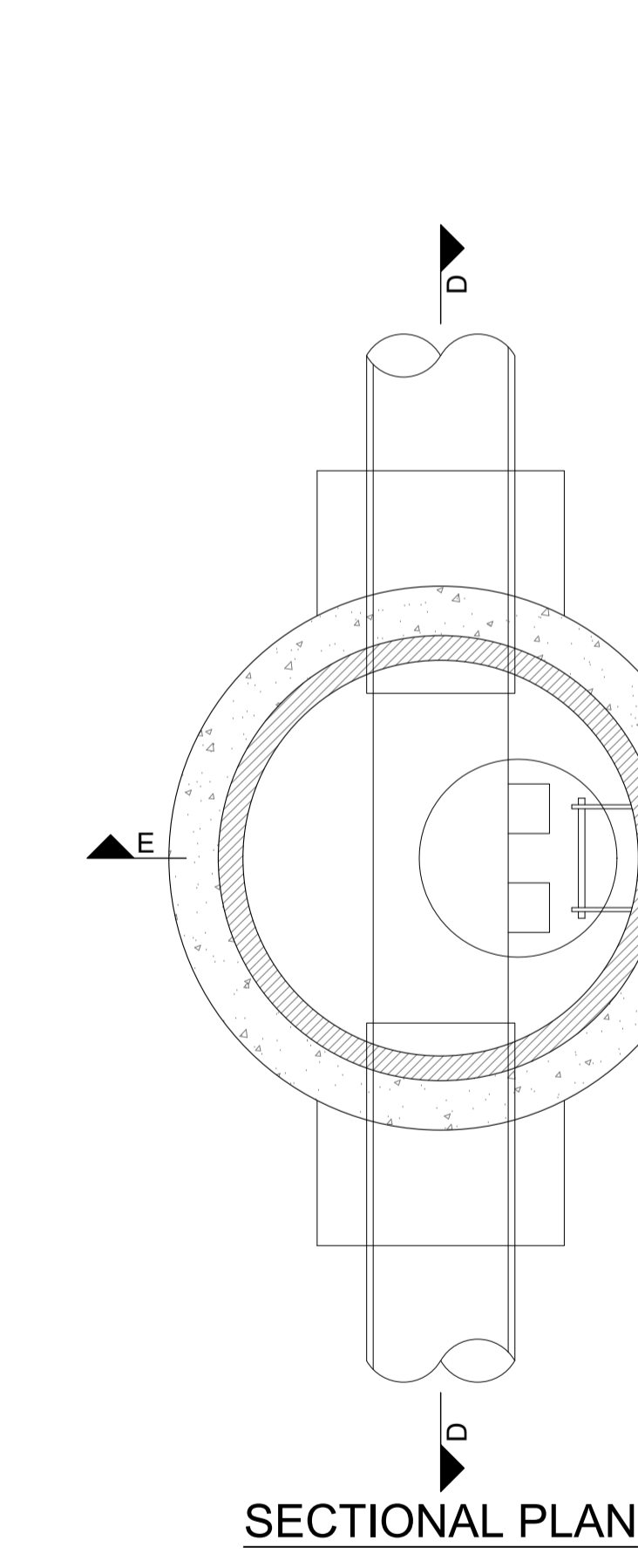
REV.	DESCRIPTION	DATE	BY
	PLANNING ISSUE	23/09/22	JS

CLIENT	Galway County Council
JOB	Ardrahan Housing Development
TITLE	Manhole Details

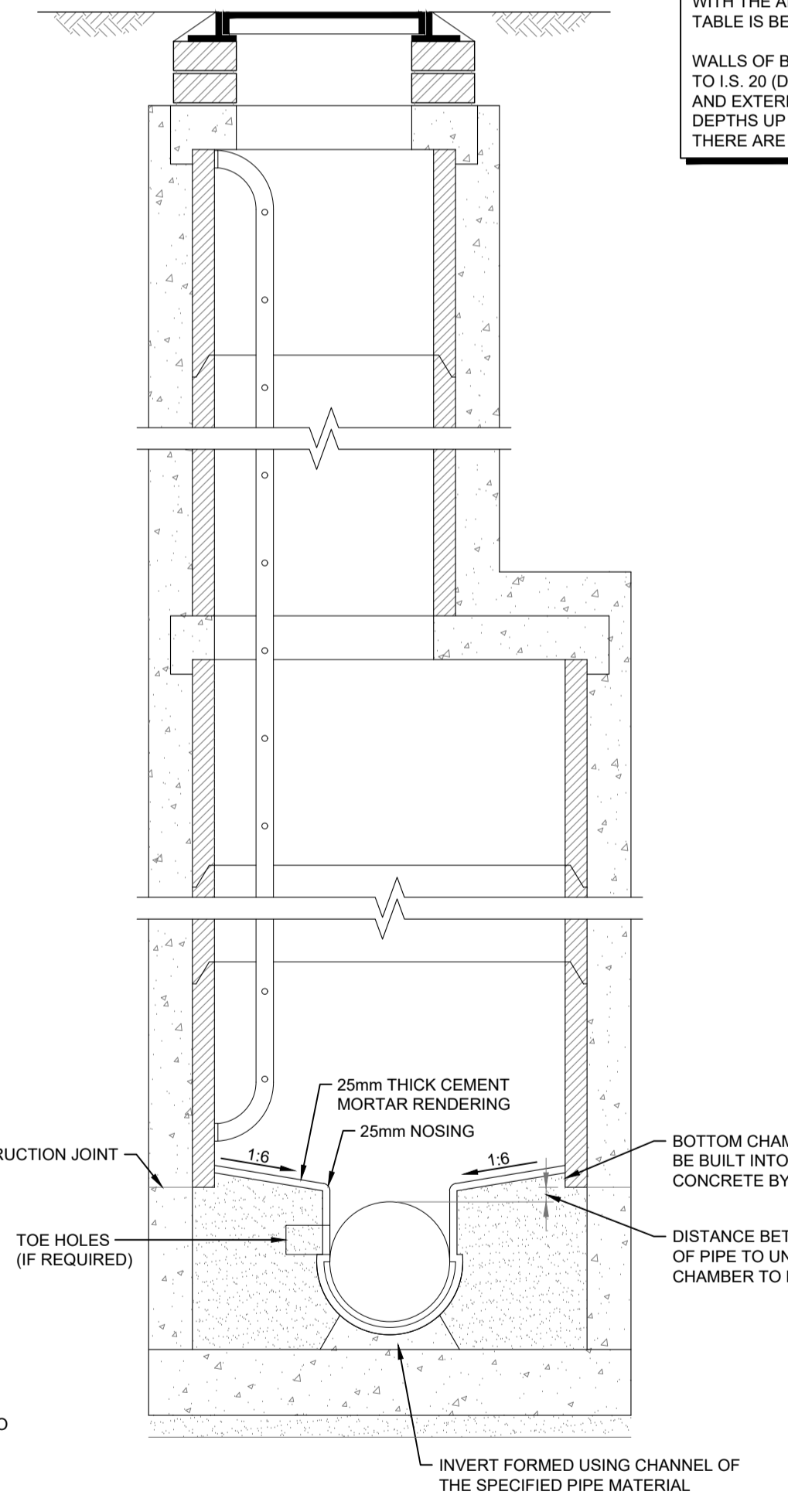


SCALES	AS SHOWN
DATE	02/04/19
DRAWN	JS
CHECKED	TMcK
APPROVED	TMcK

ALL WORK TO BE CARRIED OUT IN STRICT ACCORDANCE WITH CURRENT BUILDING REGULATIONS - AS PER THE BUILDING CONTROL REGULATIONS 1997-2014 & THE BUILDING REGULATIONS 1997-2017 WITH REFERENCE TO UPDATES TO THE TECHNICAL GUIDANCE DOCUMENTS AS PER THE DEPARTMENT OF ENVIRONMENT, HERITAGE & LOCAL GOVERNMENT.



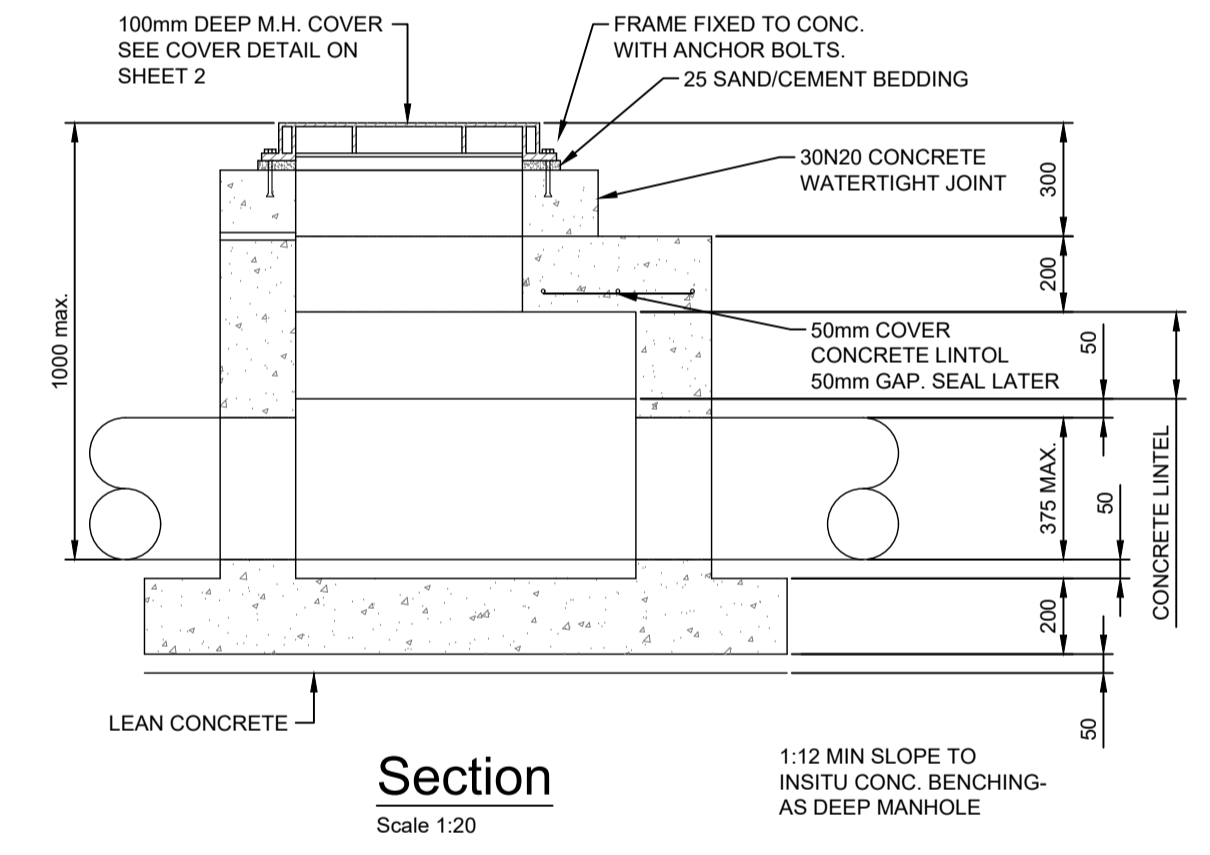
DEEP PRECAST CONCRETE MANHOLE
SCALE 1:20



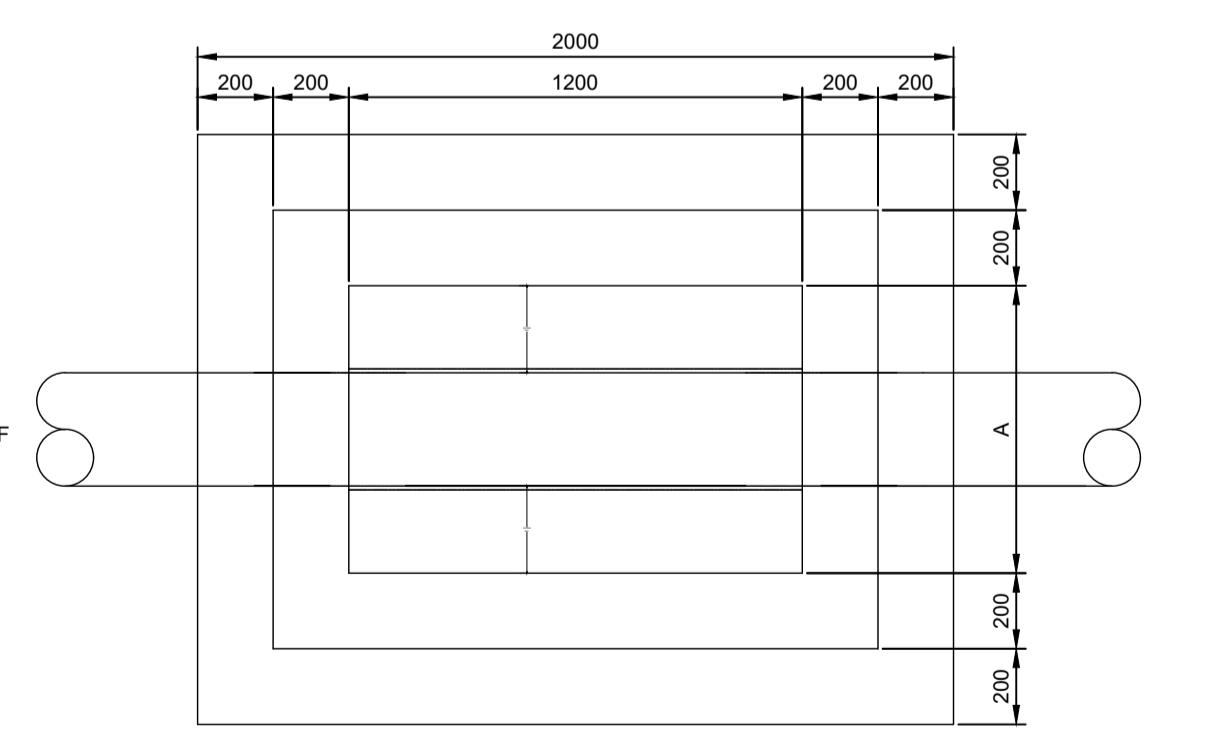
SECTION E-E

Dimension "A"
750mm FOR 100mm, 225mm & 300mm DIA. PIPES
900mm FOR 375mm & 450mm DIA. PIPES.
1200mm FOR 525mm & 600mm DIA. PIPES.
1200 mm CORNER TYPE MANHOLES.
BLOCK MANHOLES MAY BE USED FOR TYPE 1 MANHOLES WITH THE ARCHITECTS PERMISSION WHEN THE WATER TABLE IS BELOW INVERT LEVEL.
WALLS OF BLOCK MANHOLES TO BE DANSE SOLID CONC. BLOCK TO I.S. 20 (DENSITY 1800 Kg/m3 MIN.) PLASTERED INTERNALLY AND EXTERNALLY THIS MANHOLE TO BE USED ONLY FOR DEPTHS UP TO 1000 MAX. FOR PIPE DIA. UP TO 375mm & WHERE THERE ARE NO MORE THAN TWO INLETS ALONG ANY ONE SIDE.

PIPE DIAMETER(mm)	MANHOLE DIAMETER (mm)
100 - 450	1200
525 - 750	1500
750 - 900	1800



Section
Scale 1:20



Plan
Scale 1:20

Shallow Ordinary Type 2 Manhole (UP TO 1000 DEEP MAX.)
Scale 1:20