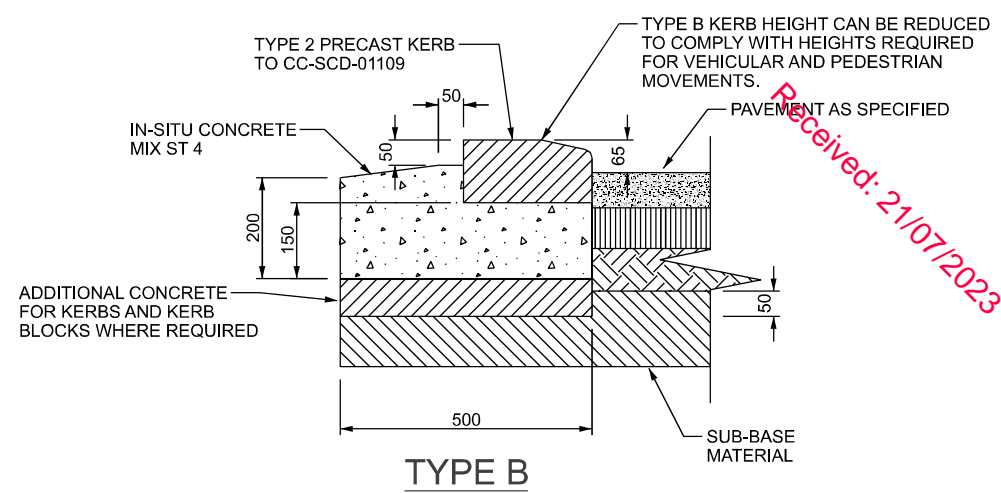
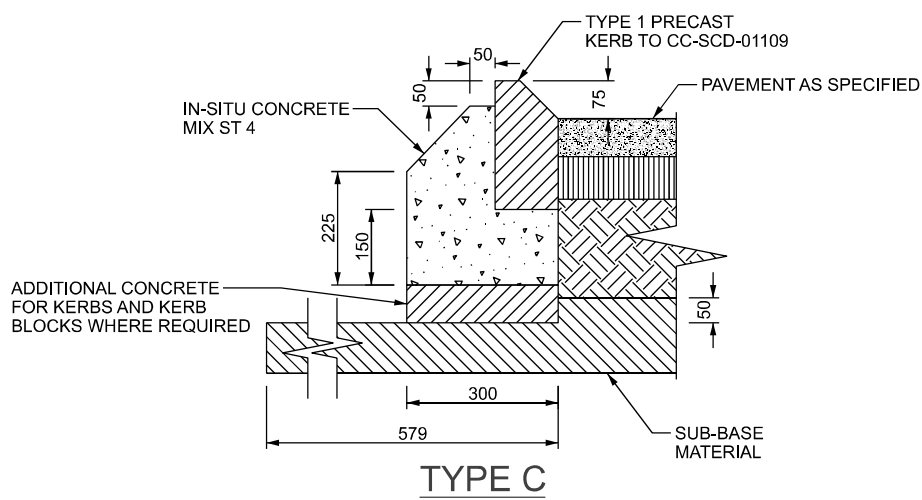


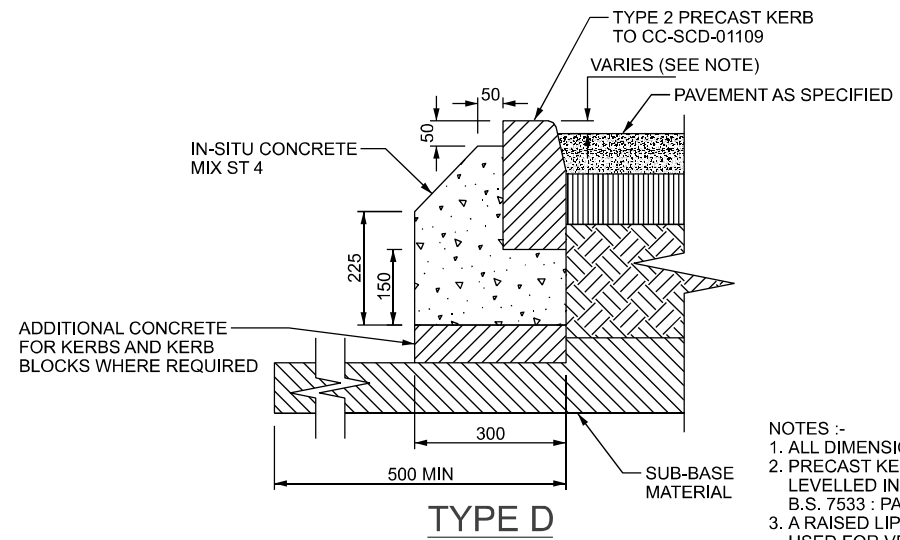
**TYPE A**



**TYPE B**



**TYPE C**



**TYPE D**

- NOTES :-
1. ALL DIMENSIONS ARE IN MILLIMETRES.
  2. PRECAST KERBS SHALL BE LAID AND LEVELLED IN ACCORDANCE WITH B.S. 7533 : PART 4.
  3. A RAISED LIP OF 25mm SHOULD BE USED FOR VEHICULAR ENTRANCES.
  4. A RAISED LIP OF 0-6mm SHOULD BE USED FOR PEDESTRIAN CROSSINGS.

Received: 21/07/2023



PUBLICATION TITLE  
KERBS, FOOTWAYS AND PAVED AREAS  
PRECAST KERBS

ACTIVITY	PUBLICATION TITLE			PUBLICATION NUMBER	
STANDARD CONSTRUCTION DETAILS (SCD)	KERBS, FOOTWAYS AND PAVED AREAS PRECAST KERBS			CC	01101
STREAM	HISTORICAL REFERENCE	DOCUMENTATION SET	PUBLICATION DATE	ACTIVITY	DRAWING NUMBER
STANDARD CONSTRUCTION DETAILS (SCD)	RCD/1100/1	STANDARDS	DECEMBER 2010	CC	SCD 01101