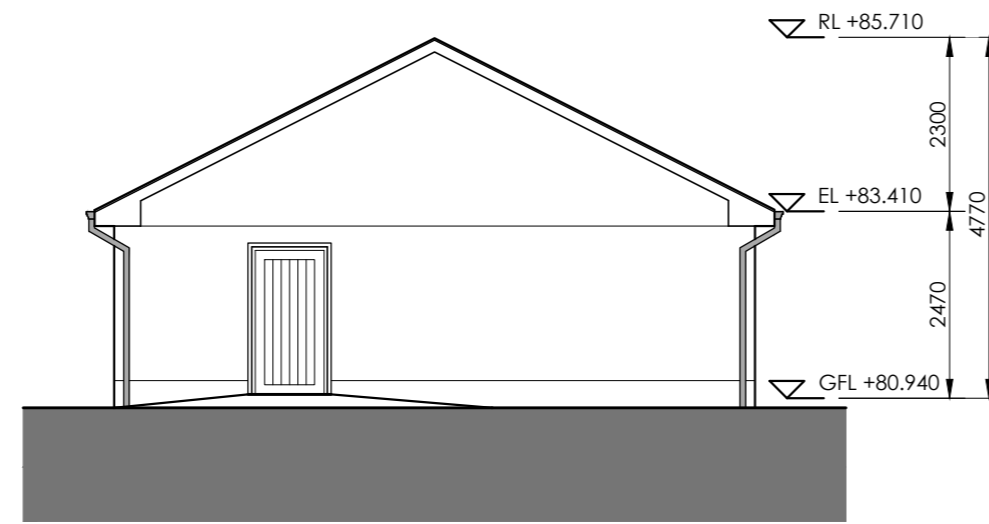
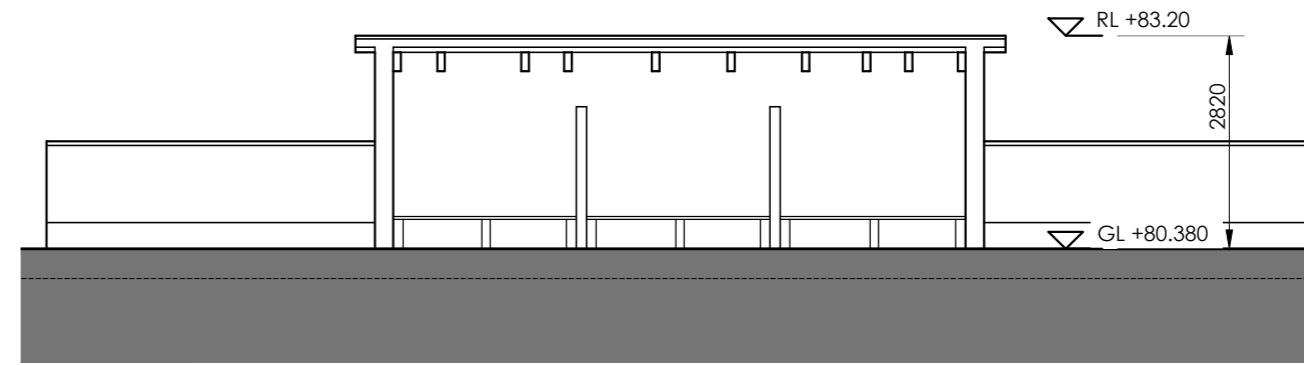




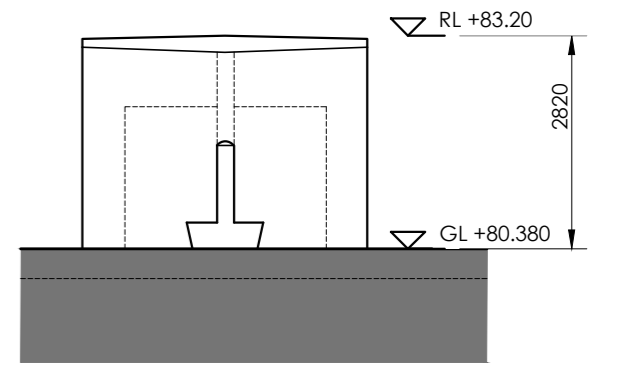
CHANGING BUILDING - TO BE ALTERED - NORTH WEST ELEVATION  
SCALE 1:100 @ A2



CHANGING BUILDING - TO BE ALTERED - SOUTH WEST ELEVATION  
SCALE 1:100 @ A2



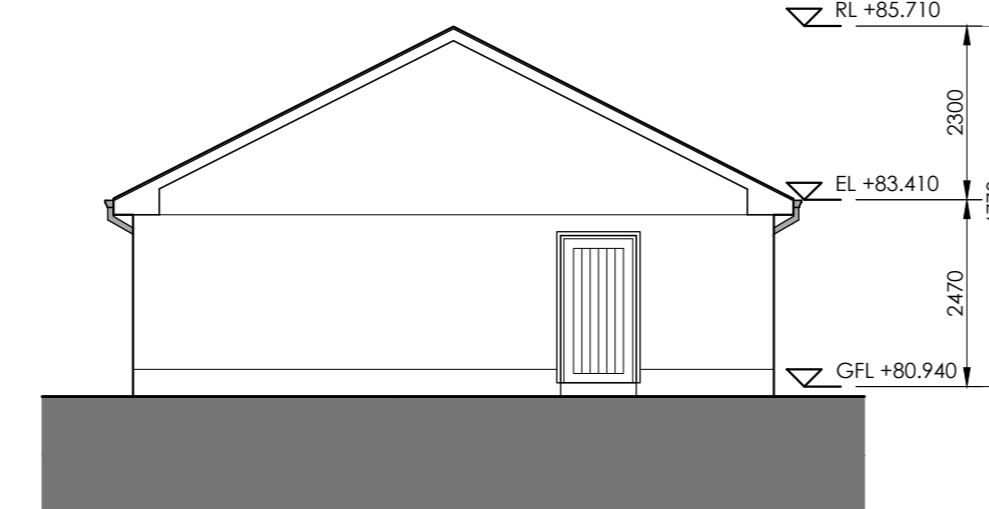
CHANGING SHELTER TO BE DEMOLISHED - SOUTH EAST ELEVATION  
SCALE 1:100 @ A2



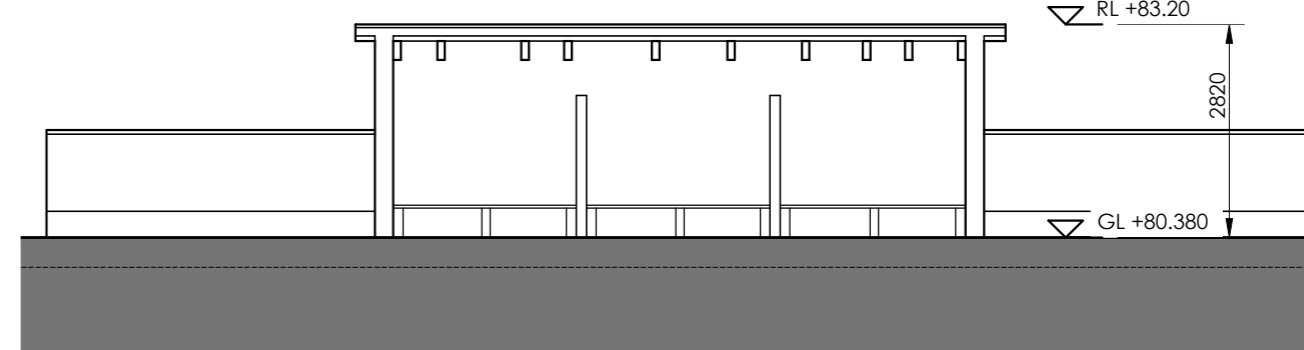
TO BE DEMOLISHED - SOUTH WEST ELEVATION  
SCALE 1:100 @ A2



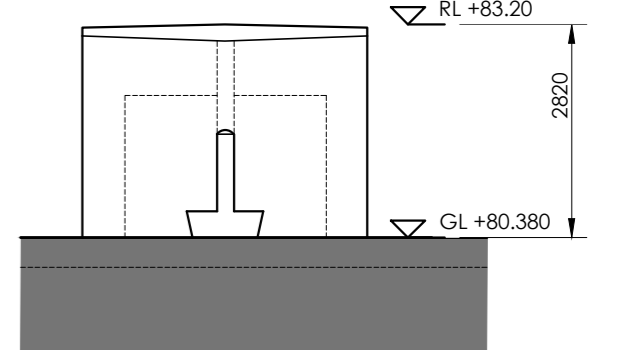
CHANGING BUILDING - TO BE ALTERED - SOUTH EAST ELEVATION  
SCALE 1:100 @ A2



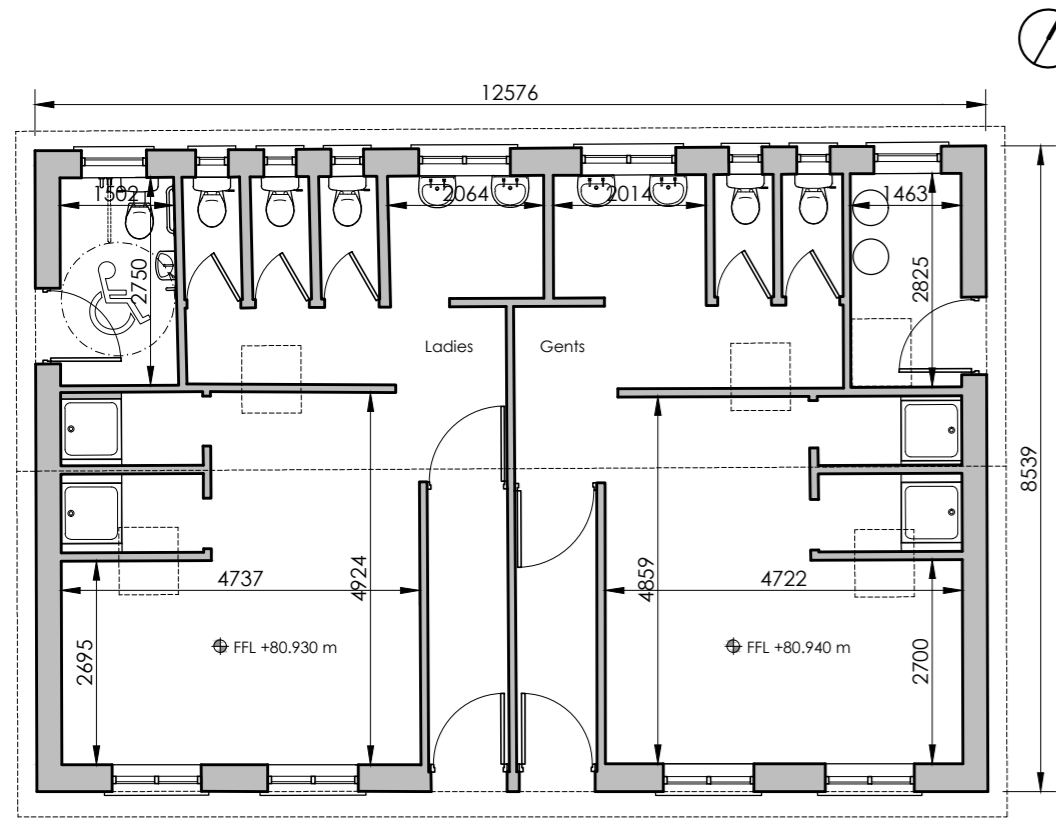
CHANGING BUILDING - TO BE ALTERED - NORTH EAST ELEVATION  
SCALE 1:100 @ A2



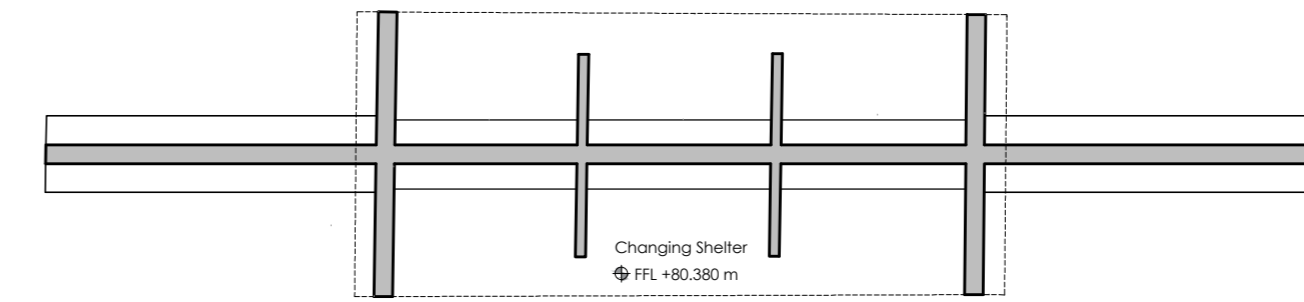
CHANGING SHELTER TO BE DEMOLISHED - NORTH WEST ELEVATION  
SCALE 1:100 @ A2



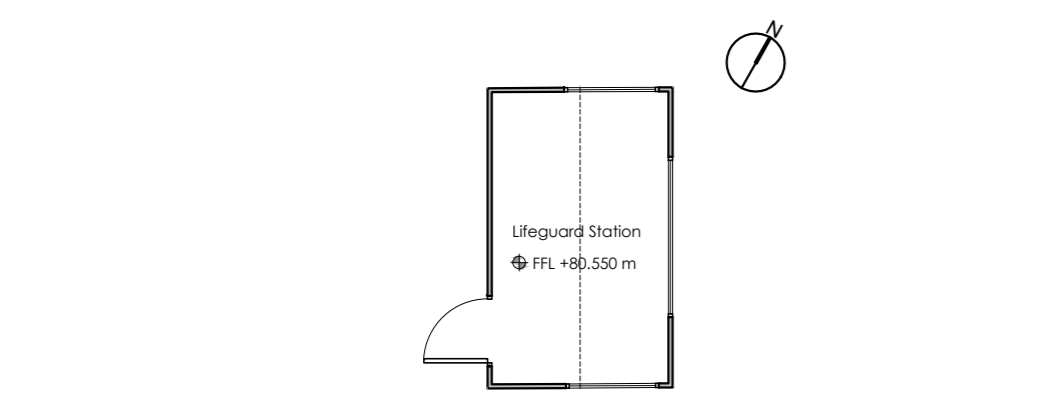
TO BE DEMOLISHED - NORTH EAST ELEVATION  
SCALE 1:100 @ A2



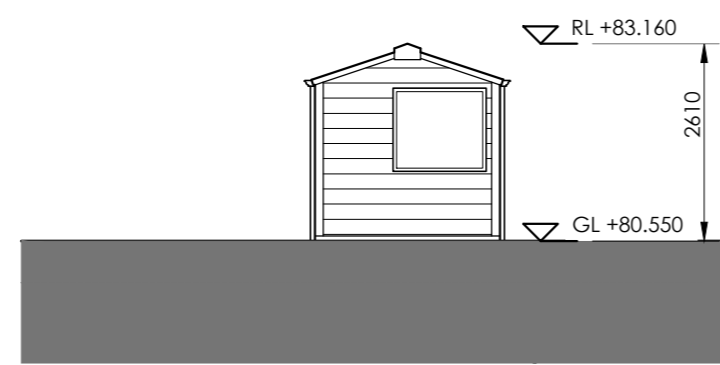
CHANGING BUILDING - TO BE ALTERED - GROUND FLOOR PLAN  
SCALE 1:100 @ A2



CHANGING SHELTER TO BE DEMOLISHED - GROUND FLOOR PLAN  
SCALE 1:100 @ A2



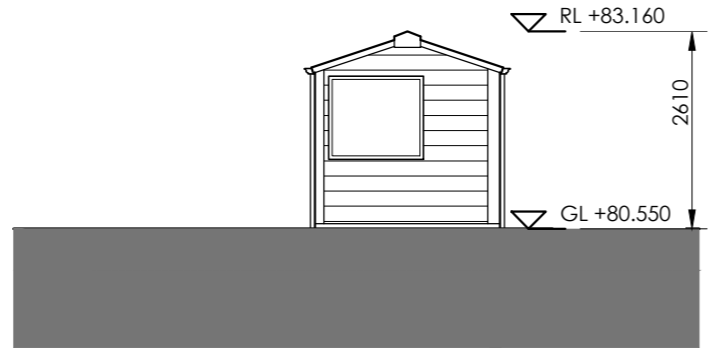
LIFEGUARD STATION TO BE REMOVED - GROUND FLOOR PLAN  
SCALE 1:100 @ A2



TO BE REMOVED - NORTH EAST ELEVATION  
SCALE 1:100 @ A2



TO BE REMOVED - SOUTH EAST ELEVATION  
SCALE 1:100 @ A2



TO BE REMOVED - SOUTH ELEVATION  
SCALE 1:100 @ A2



TO BE REMOVED - NORTH WEST ELEVATION  
SCALE 1:100 @ A2

**DRAWING NOTES**

- AREA OF EXISTING TEMPORARY LIFEGUARD STATION TO BE REMOVED: 9 SQ.M
- AREA OF EXISTING CHANGING SHELTER TO BE DEMOLISHED 28 SQ.M
- AREA OF EXISTING CHANGING AREA TO BE ALTERED: 92.5 SQ.M
- THIS DRAWING IS COPYRIGHT AND IS FOR PLANNING PURPOSES ONLY AND IS NOT TO BE USED FOR CONSTRUCTION PURPOSES.
- USE FIGURED DIMENSIONS ONLY. DO NOT SCALE FROM DRAWINGS.
- THIS DRAWING SHOULD BE ONLY RELIED UPON FOR THE SPECIFIC PURPOSE THAT IT WAS PREPARED AND SHOULD NOT BE RELIED UPON FOR CONSTRUCTION PURPOSES. NO IMPLIED OR EXPRESSED WARRANTY IS GIVEN AS TO THE SUITABILITY FOR CONSTRUCTION PURPOSES. HELENA MCELMEEL ARCHITECTS SHALL NOT BE LIABLE FOR ANY LOSS OR DAMAGE OR INJURY CONSEQUENTIAL OR OTHERWISE HOWSOEVER ARISING FOR FAILURE TO COMPLY WITH THE ABOVE.

Rev	Date	Description	Drawn By	Checked By
0	26.09.2024	ISSUED FOR PLANNING		

PROJECT	LONG POINT OUTDOOR AMENITY ENHANCEMENT PROJECT			DWG. NO.	
CLIENT	GALWAY COUNTY COUNCIL			REV	P(01)05
DRAWING TITLE	EXISTING BUILDINGS TO BE DEMOLISHED & ALTERED - PLAN AND ELEVATIONS			REV	0
99014	JULY 2024	1:100 @ A2	BS		
PROJECT NO.	DATE	SCALE	DRAWN BY	CHECKED BY	RELEASED