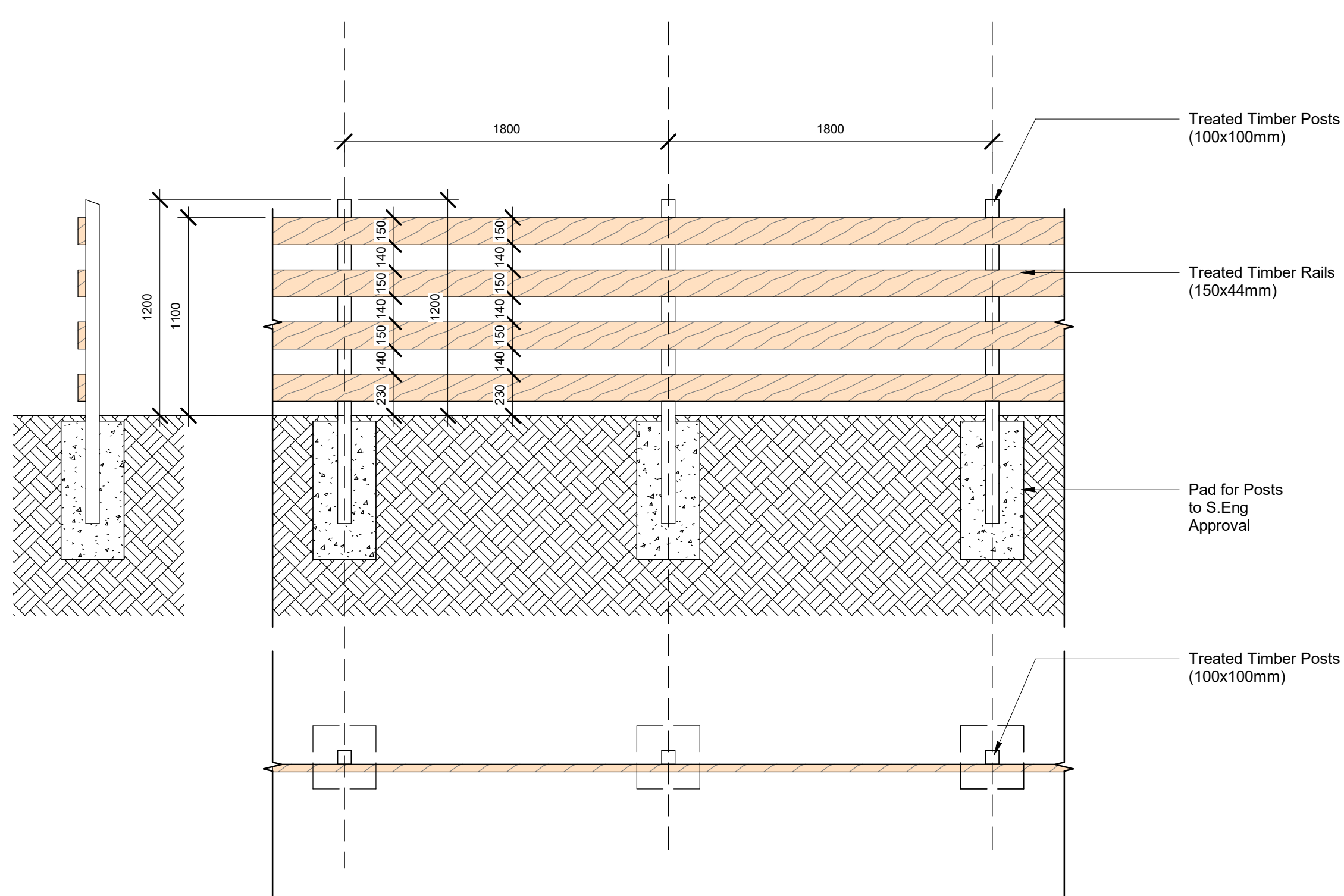
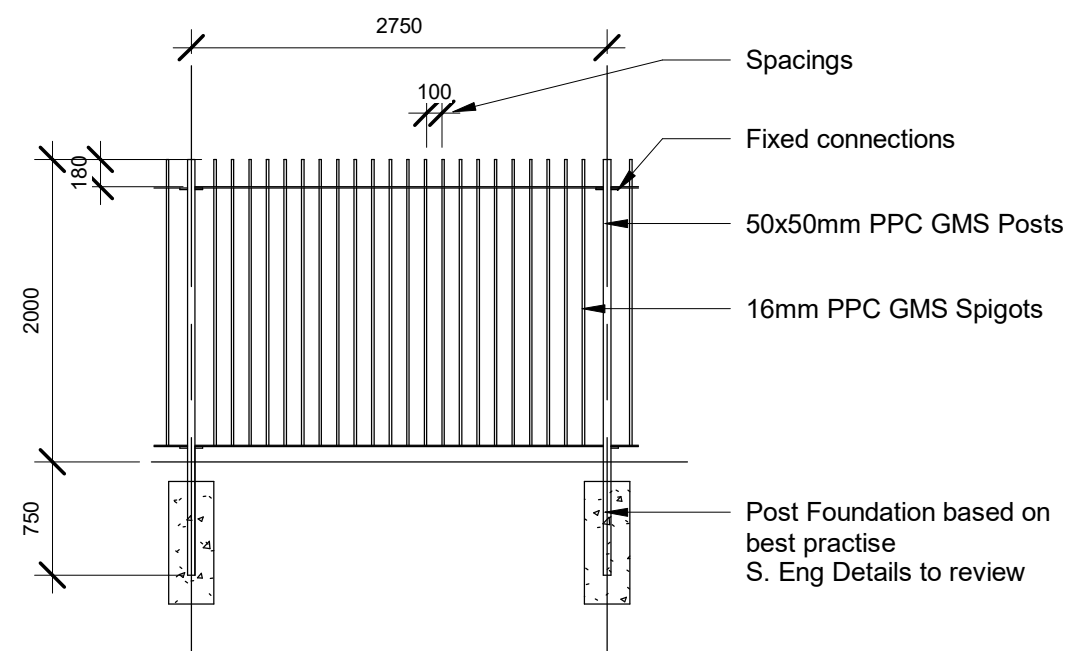


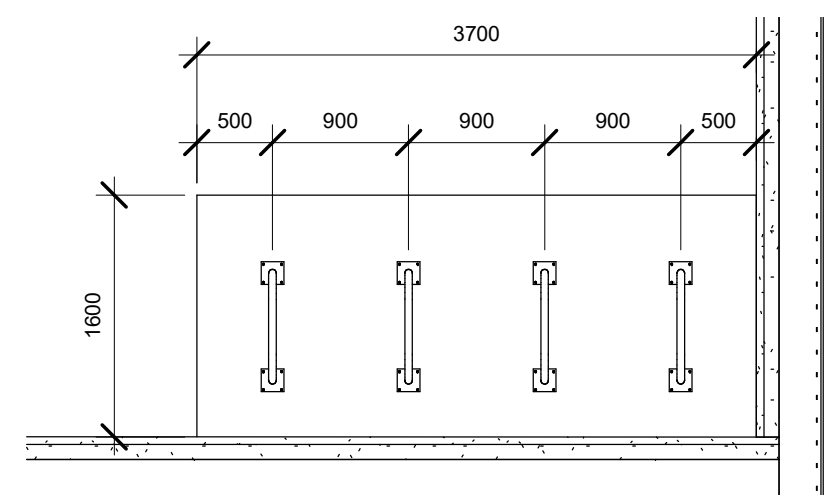
1 Gate Fence Detail  
1:25



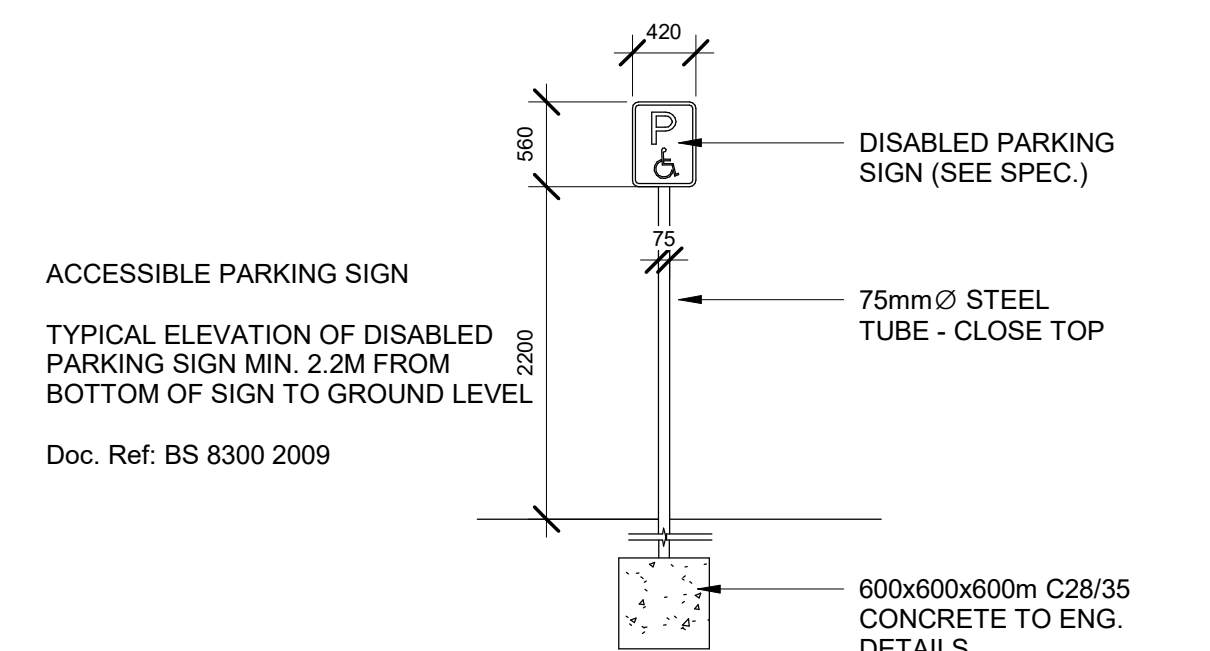
2 Timber Fence Detail  
1:25



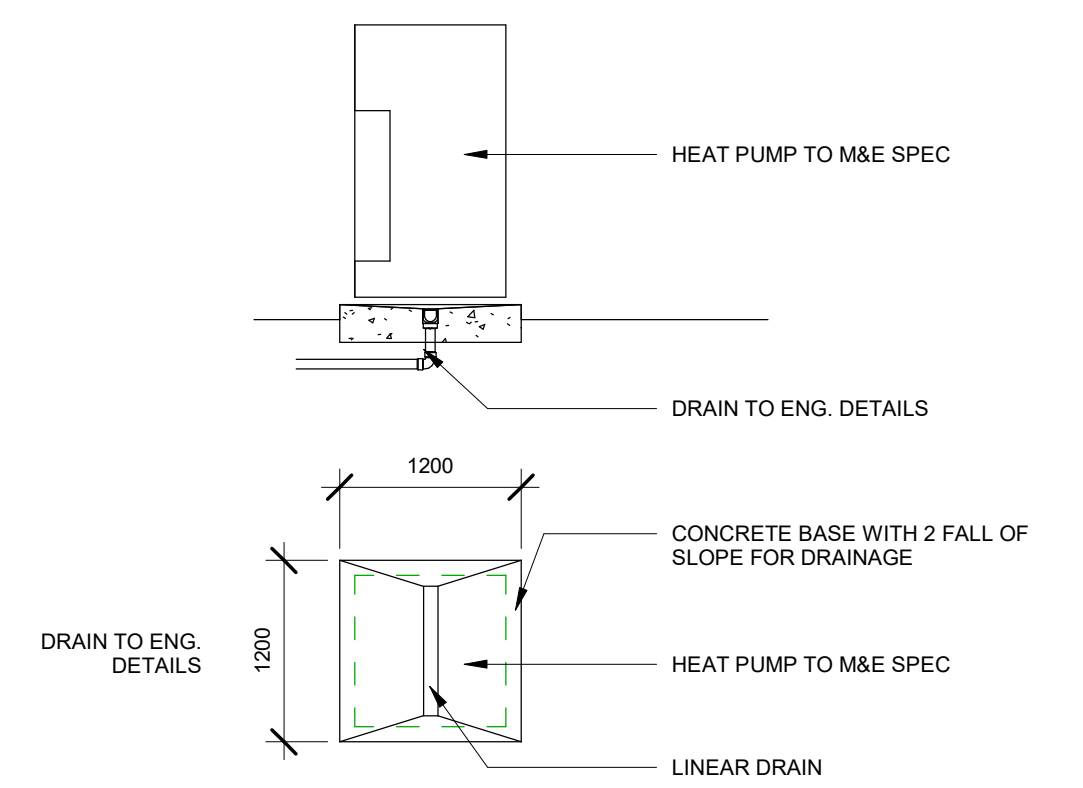
3 Site Fence Detail  
1:50



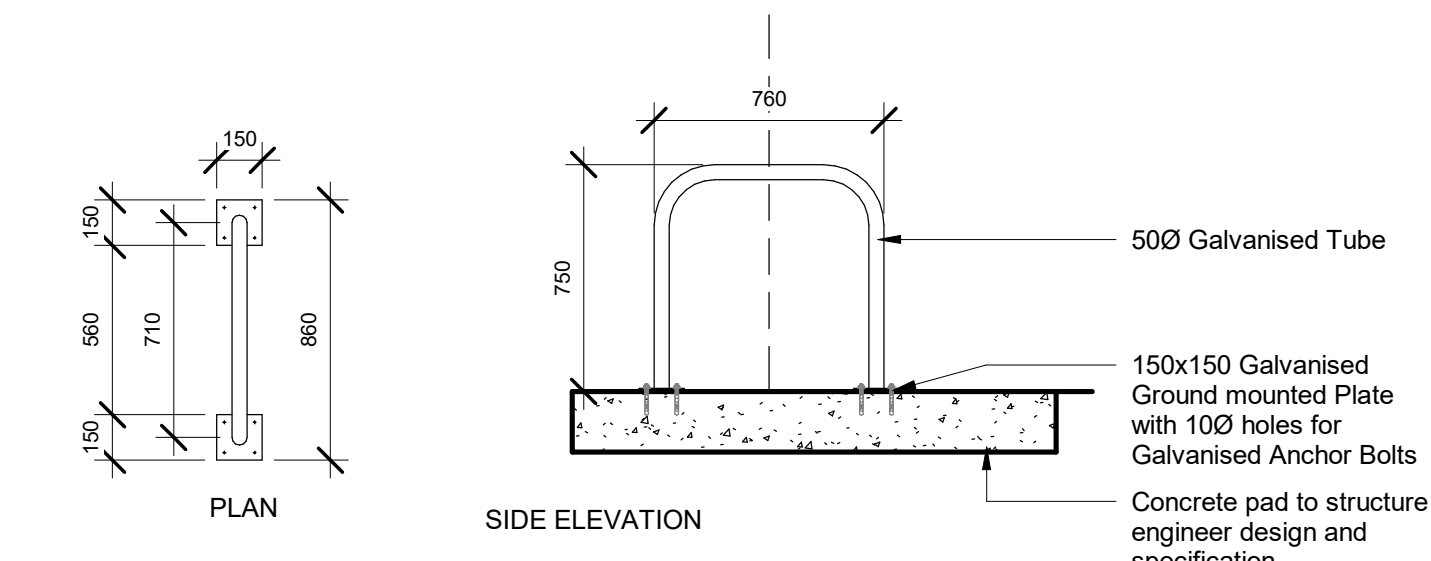
5 Bicycle Stand Plan  
1:50



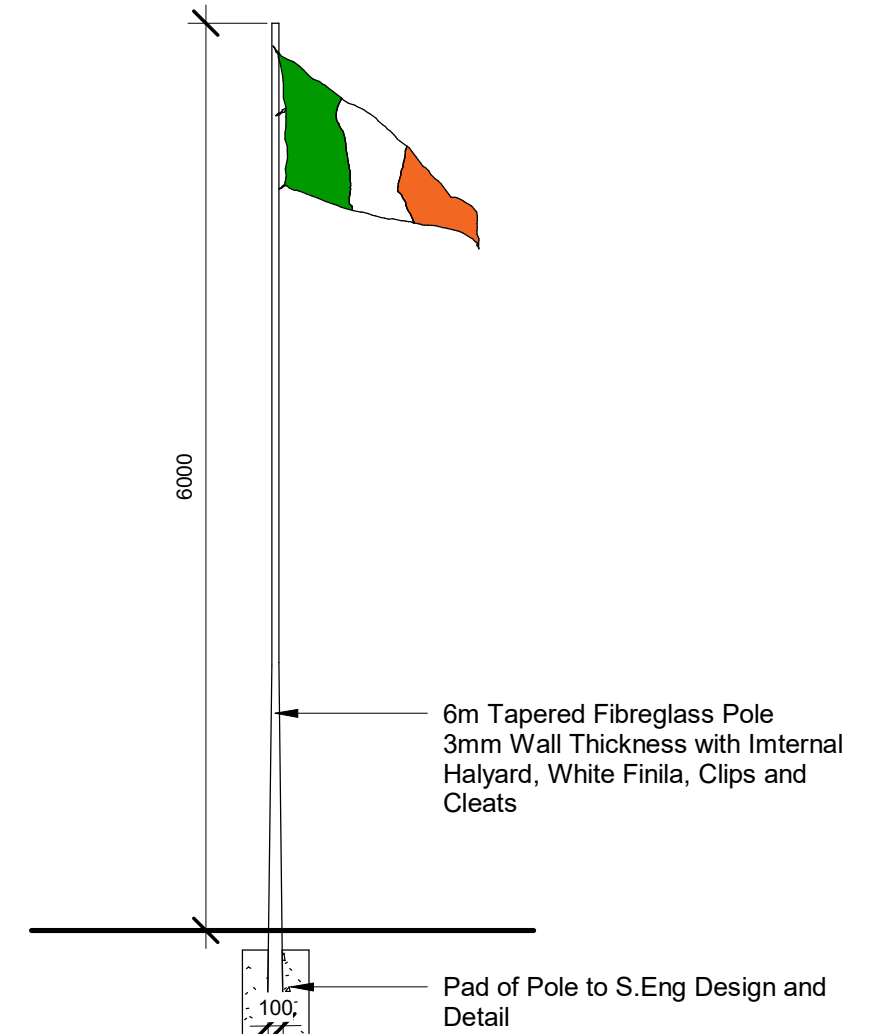
4 Accessible Parking Sign  
1:50



6 Heat Pump Details  
1:50



7 Bicycle Stand Details 1  
1:25



8 Flag Pole Detail  
1:50



PART 8 PLANNING APPLICATION

Rev	Description	By	Date
0	Issued for Planning (Part VIII)	JPM	10/10/2024

<b>VHA</b>	<b>VINCENT HANNON ARCHITECTS</b> Sligo Second Floor Hanson Building Dorset Park Road Sligo, F91 P792 www.vha.ie 071 915 0222	<b>GALWAY</b> Suite 4, Cloch Mills, Dublin Road, Galway, H91 V9TE 091 483 934	<b>DUBLIN</b> 81 Amiens Street Dublin 1, D01 N2F5 01 876 4600
------------	--	---	---

Client:	GALWAY COUNTY COUNCIL		
Project:	LOUGHREA FIRE STATION		
Description:	SITE EXTERNAL WORKS	Scale:	As indicated
Status:	P3	Pro No:	211109
Date:	07 OCT 2024	Drawing No:	LFS-DR - VHA - AR - 1103
Drawn by:	JPM	Rev:	0
Checked by:	BF		